

# **IQD-DB1M-01A**

## **IQRF Lighting Bridge**

### **User's guide**



Smarter Wireless. Simply.

## Description

The IQD-DB1M-01A indoor Lighting bridge enables to communicate with equipment with the **Digital Addressable Lighting Interface** via the IQRF wireless Mesh network. It works as a bidirectional data tunnel to transfer data frames between IQRF and **IEC 62386** standard. It is intended for mounting into soffits.

It is an IQRF Interoperable device according to the [IQRF Standard](#).



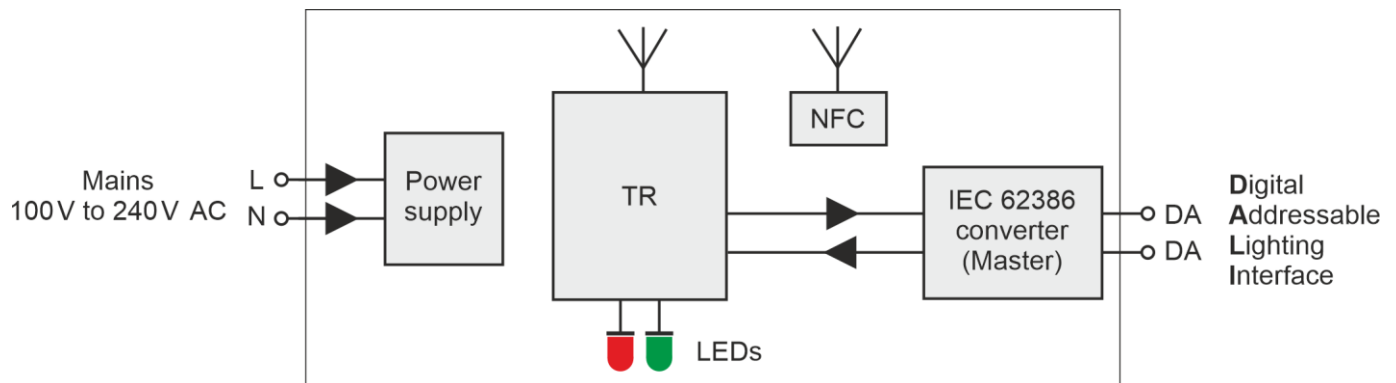
## Key features

- NFC for easy contactless including into the network
- Indoor only, for mounting into soffits
- Small dimensions, 22 mm height
- Configurable via RF
- Powered from mains
- **Digital Addressable Lighting Interface (IEC 62386)** protocol encapsulated into IQRF protocol
- Interoperable, observing [IQRF Standard](#)

## Applications

- Wirelessly controlled lighting
- Lamps
- Building automation
- For [STD](#) as well as [STD+LP](#) networks
- Internet of Things

## Block diagram



## Technical specifications

*Typical values (until otherwise specified)*

Supply voltage 100 V to 240 V AC (mains)  
 Supply wattage 0.25 W max.

RF transceiver TR-76D  
 RF antenna Flexible printed circuit inside the case  
 RF band 868 MHz  
 916 MHz on request  
 Effective radiated power Programmable in 8 levels up to the following values:  
   868 MHz band -1.4 dBm  
   916 MHz band *To be defined*  
 RF range Up to 130 m 1  
 Other RF parameters See TR-76D datasheet

IQMESH network Node type **STD**  
 Custom DPA Handler HWPID = 0804  
 Alternative DSM channel 67  
 Default Access Password All 16 B filled with zeros

Temperature  
   Operating -10 °C to +60 °C  
   Storage -10 °C to +60 °C  
 Relative humidity 5% to 80%, without condensation

Case  
   Material ABS plastic  
   Size 88 mm x 38 mm x 22 mm  
   Ingress protection IP20, for mounting into soffit  
   Flammability UL 94 HB  
 Weight 48 g

**Note 1:** Test arrangement: bidirectional communication with a counterpart TR-72DA transceiver plugged in DK-EVAL-04A kit, both devices in free space, 1.6 m above the ground, antennas in the bridge and the counterpart oriented parallelly. For **non-parallel** arrangement, the range is **seriously lower**. See chapter [Antenna](#).

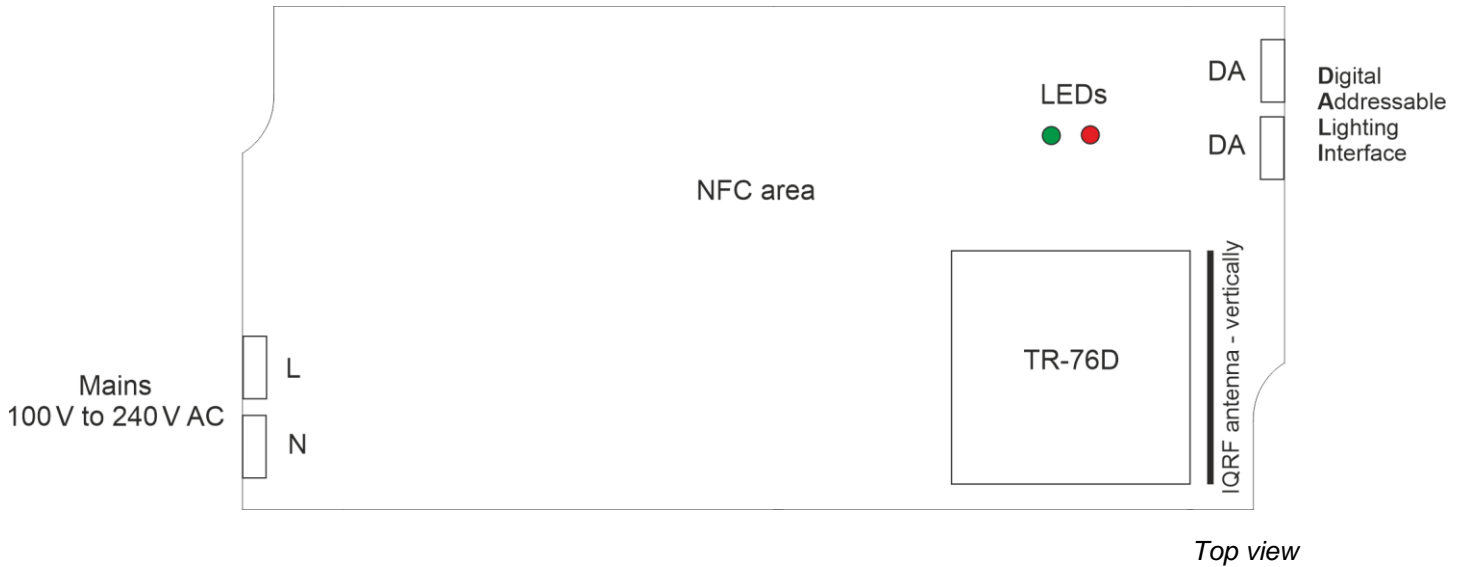
## Absolute maximum ratings

Stresses beyond those values may cause permanent damage to the device. Exposure to maximum rating conditions for extended periods may affect device reliability.

Supply voltage 260 V AC max.  
 Temperature -20 °C to +70 °C

## Hardware

### Layout



### Power supply

#### Warning

Installing and all other handling the bridge must be done only by a person authorized to work with dangerous voltage.

The bridge must be supplied via a 2-wire cable certified for powering from mains, connected to the spring clamp connector. See the diagram in chapter [Layout](#). The cable is not delivered with the bridge.

### LEDs

Both LEDs (red and green) are intended for system indication, especially during the installation, maintenance and service. The LEDs are distinctly visible only inside the case. See the diagram in chapter [Layout](#) for LED locations.

### NFC

The NFC non-volatile memory (EEPROM) with a contactless interface enables wireless Near-Field Communication between the bridge and a portable device like a mobile phone when it is located very close (up to a few centimeters) to the NFC area. This is primarily intended for [bonding](#) (including the bridge into the IQMESH network).

## IQRF antenna

The antenna is implemented as a meander on a flexible printed circuit inside the case. The bridge must be **installed with respect to orientation of the antenna**:



Correct



Incorrect



Correct



Incorrect

---

## Software

---

The TR inside the bridge is equipped with the following software:

- **Operating system** IQRF OS
- **DPA plug-in** [DPA-Node-STD...](#)
- **Custom DPA Handler** according to the [HWPID](#) assigned to IQD-DB1M-01A.

All software inside the bridge (see above) is upgradeable. However, the possible upgrade must be done by a person familiar with the IQRF technology. Refer to the *IQRF DPA Framework Technical guide*, chapter [Over The Air \(OTA\) upgrade of IQRF OS and DPA](#).

The TR inside the bridge must be equipped with **the same IQRF OS version** and with **the same DPA version** as all other TRs in the given network.

## Configuration

For security, some operations (e.g. the [Autonetwork](#)) require setting the proper **Access Password**. The Access Password of the bridge must be set the same as for the Coordinator in the given network. It must wirelessly be written into the **TR configuration** of the transceiver inside the bridge, using [IQRF IDE](#) and [CATS](#). See the *IQMESH Network Deployment Technical guide*, chapter *CATS Service Tools*. Another possibility is via the network. See the *IQMESH Network Deployment Technical guide*, chapter *Change of TR Configuration*.

The **Access Password** is the only parameter from TR configuration which must be set before bonding the bridge by Autonetwork. All other configuration parameters are **preconfigured** from the factory or will be **inherited** wirelessly from the network Coordinator (automatically during [bonding](#)). See [Default Access Password](#) for the value preconfigured from the factory.

Additionally, the Access Password is also intended for possible subsequent **maintenance**, such as authorization in *DPA Service Mode* (DSM) and encryption and decryption of backup data during the [Backup / Restore](#) process intended for an easy future **replacement** of the bridge in the network (e.g. after the damage of the bridge).

**If the bridge is bonded via the Smart Connect, the Access Password is inherited from the Coordinator automatically.**

## Product identification

The product type can be identified in the [IQRF Repository](#) as an IQRF interoperable device through the [HWPID](#).

## Installation

### Warning

Installing and all other handling the bridge must be done only by a person authorized to work with dangerous voltage.

The bridge should be put into operation by a person familiar with IQRF technology in some measure.

## Including into the network

The bridge can be used in both IQMESH network types: [STD](#) as well as [STD+LP](#).

The bridge must be included (bonded) into the desired IQMESH network. From the bonding point of view, the two states of the bridge are recognized: **bonded** or **not bonded**.

## LED indication

The behavior is depicted in the time diagrams below where individual lines relate to **LEDR** and **LEDG**. Possible actions of the network **Coordinator** (typically inside a gateway) are depicted in purple.

The bonding states are indicated **after power on** by **LEDR** and **LEDG**.

### Bonded

A bonded bridge is indicated by a single flash of the red **LEDR**.



### Not bonded

A not bonded bridge is indicated by rapid **LEDR** flashes, **waiting for** (a new) **bonding**.



### Error

Other ways of **LEDR** and **LEDG** behavior indicate **errors** (e.g. an incomplete bonding). To recover from an error state, **unbond** the bridge or restore the [factory settings](#) of the bridge and try to bond it once more. If not helped, it is probably a question of a more serious fault. Contact [IQRF support](#) in such a case.

## Bonding

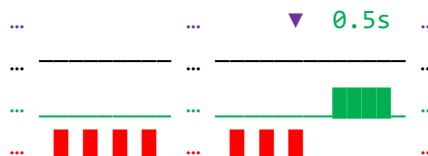
A bridge to be bonded **must** always be in the **not bonded** state. Thus, before a new bonding, the possibly bonded bridge (e.g. still remaining bonded to another network from a previous application) must be **unbonded** first.

It is possible to bond the bridge via **Smart Connect** or [Autonetwork](#).

### Smart Connect

To bond the bridge using the Smart Connect, perform the following steps:

- The bridge is identified by the so-called **IQRF Smart Connect Code**. For Smart Connect bonding, this code must be transferred into the Coordinator (gateway) in advance. It can be accomplished in various ways, e.g. via the [QR code](#) or via [NFC](#). See chapter [IQRF Smart Connect in practice](#) for details.
- Place the bridge to be **in range with** at least one **Node already bonded** in the network (with routing enabled and not sleeping). It may but need **not** be the **final location** of the bridge.
- Switch the power supply on. The **LEDR** starts rapidly flashing and the bridge is waiting for bonding.
- [Launch](#) the Smart Connect procedure (▼) at the Coordinator.
- Wait until the Smart Connect process is finished. Successful bonding is indicated by a single **LEDG** flash for 0.5 s.



- Relocate the bridge to the **final location** (if needed).
- Perform **Discovery** at the Coordinator (to update routing paths with respect to the new topology).

## Autonetwork

To bond the **unbonded** bridge using the Autonetwork, perform the following steps:

- Ensure setting the Access Password according to the network Coordinator. See chapter [Configuration](#).
- Place the bridge to its **final location**.
- Switch the power supply on. The **LEDR** starts rapidly flashing and the bridge is waiting for bonding.
- Launch the *Autonetwork* process at the Coordinator. See the *IQMESH Network Deployment Technical guide*, chapter *Autonetwork*.

The Autonetwork automatically bonds the bridge and performs the **Discovery** (to update routing paths with respect to the new topology). The resulting state of the bridge is either bonded (**LEDR** off) or unbonded (**LEDR** still flashing). The result can be detected at the Coordinator side, e.g. in IQRF IDE or IQRF Gateway Daemon (if applicable).

## Unbonding

It is possible to unbond the bridge (exclude it from the network) in several ways. After unbonding, the bridge is automatically restarted and rapid **LEDR** flashes indicate the **unbonded bridge**.

### Unbonding by DPA commands

If the bridge is accessible in the given network, it can be unbonded by DPA commands from the Coordinator as follows:

- DPA Request Remove bond: The bridge is unbonded on the Node side
- DPA Request Remove bonded node: The bridge is unbonded on the Coordinator side
- DPA Request Clear all bonds: Alternatively, all Nodes in the network are unbonded on the Coordinator side

If the bridge should be unbonded on both the Coordinator as well as the Node sides, two DPA Requests should be sent (in the order given): Remove bond and Remove bonded node.

The same can also be accomplished using the [IQRF IDE](#) development environment connected to the Coordinator (*Tools / IQMESH Network Manager / Control / IQMESH / Local section*). See the *IQMESH Network deployment Technical guide*, chapter *Unbonding*.

### Unbonding by CATS

Even if the bridge is not accessible in the given network, it can be unbonded by the CATS (a service tool implemented by another TR plugged into the [CK-USB-04A](#) development kit with [IQRF IDE](#) connected) as follows:

- Connect CATS to the bridge (IQRF IDE, menu *Tools / CATS Service Tools / DPA Service Mode*).
- Click the *Unbond* button.
- Reset the bridge (by switching the power supply off and on).

Refer to the *IQRF IDE Help*, chapter [DPA Service Mode](#).

## Backup/Restore

To enable seamless replacing a possibly damaged bridge, the respective data must be read from the bridge before the damage. This data can be copied into a new bridge any time later. Refer to the *IQMESH Network Deployment Technical guide*, chapter *Transceiver replacement*.

## Factory settings

Regardless of the actual configuration and bonding information stored in the bridge, it is possible to restore the factory setting to the **default** values as follows:

### Factory settings by DPA command

Applicable only if the **Node is accessible in the given network**.

- DPA Request [Factory Settings](#)

### Factory settings by CATS

Even if the Node is not accessible in the given network, it can be reconfigured to factory settings by the [CATS](#) service tool. This method is only applicable if Access Password is known.

- Connect CATS to the Node (IQRF IDE, menu *Tools / CATS Service Tools / DPA Service Mode*).
- Click the *Factory Settings* button.
- Reset the Node (e.g. by switching the power supply off and on).

Refer to the *IQRF IDE Help*, chapter [DPA Service Mode](#).



---

## Operation

---

### Bridging

Once the bridge is successfully **bonded**, it immediately starts bridging all packets between its IQMESH and Digital Addressable Lighting Interface. The communication is based on requests from the IQMESH Coordinator and responses from the lighting device.

[IQRF Standard](#) for IEC 62386 is specified at [IQRF-StandardDALI\\_Vxxx.pdf](#).

[Macros](#) for controlling a lighting device via the bridge using [IQRF IDE](#) are available on the [IQD-DB1M-01A product page](#).

### Routing

Additionally, if the bridge is **discovered**, it routes all received packets according to the IQMESH routing rules for other Nodes in the network.

---

## ***IQRF Smart Connect in practice***

---

The Smart Connect should be performed by a person a bit familiar with IQRF technology.

### **IQRF Smart Connect Code**

Read the [IQRF Smart Connect Code](#) from the bridge by a **mobile application** (such as [IQRF Network Manager](#) for Android). It can be accomplished in various ways, e.g. via the **QR code** or via **NFC**.

#### **QR code**

The **IQRF Smart Connect Code** can anytime be read from the **QR code** on the **label** on the bottom side of the case.

#### **NFC**

The **IQRF Smart Connect Code** can anytime be read via NFC by bringing a smartphone with the mobile application close to the NFC area at the bridge.

For some smartphone types, this step must be performed with the bridge disconnected from power supply.

### **IQRF Repository**

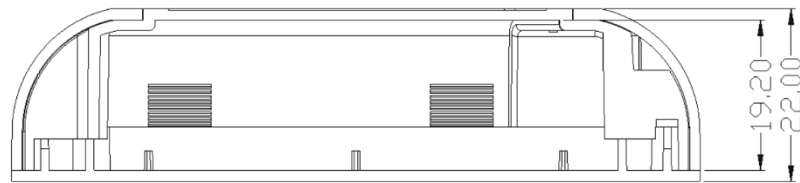
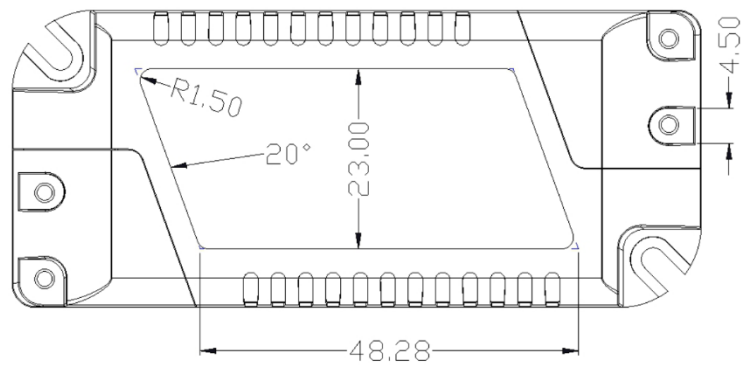
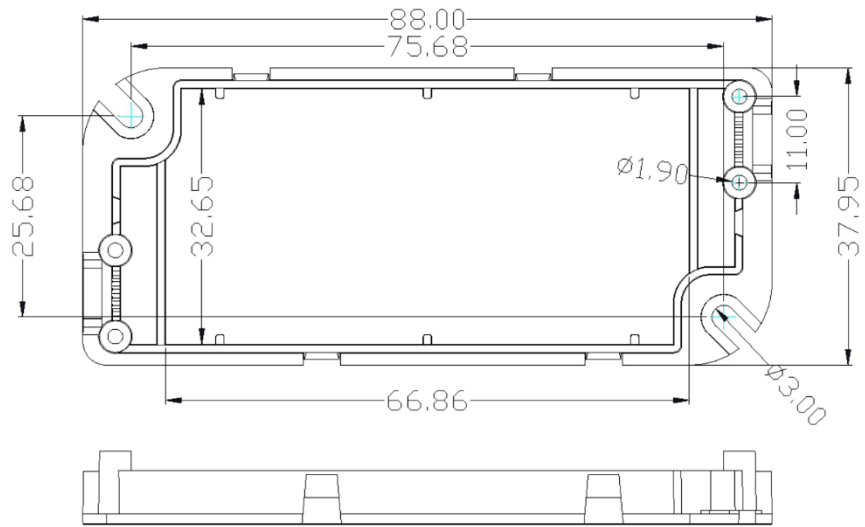
The mobile application is linked to the [IQRF Repository](#). It is public on-line **storage** and **database** containing information regarding all **IQRF interoperable products**. It provides information about and relations between the IQRF objects such as **companies, products, DPA handlers, standards, OS, DPA**, etc. Individual product types are identified by their **HWPIDs**.

### **Smart Connect launch**

The Smart Connect can be launched:

- Via the IQRF Gateway Daemon API
- Via the web page inside the IQRF Gateway Daemon using the [IQRF Gateway webapp](#) control application.
- Via [IQRF IDE](#).

## Mechanical drawings



---

## Product information

---

### Ordering code

IQD-DB1M-01A                      IQRF IEC 62386 bridge, 868 MHz band

### Supplied contents

IQRF IEC 62386 bridge, without a power cord.  
Delivered with current versions of all software included. Lower versions are available on request.

### Document history

210708	Terminology changed due to legal reasons. Chapter <i>Quality management</i> updated.
201114	First public release.

---

---

# Sales and Service

---

## Corporate office

MICRORISC s.r.o., Prumyslova 1275, 506 01 Jicin, Czech Republic, EU  
Tel: +420 493 538 125, Fax: +420 493 538 126, [www.microrisc.com](http://www.microrisc.com)  
E-mail (commercial matters): [sales@microrisc.com](mailto:sales@microrisc.com)

## Technology and development

[www.iqrf.org](http://www.iqrf.org)  
E-mail (technical matters): [support@iqrf.org](mailto:support@iqrf.org)

## Partners and distribution

[www.iqrf.org/partners](http://www.iqrf.org/partners)

---

## Quality management

*ISO 9001 : 2016 certified*

*Complies with ETSI directives EN 301 489-1 V1.9.2:2011, EN 301 489-3 V1.6.1:2013, EN 300 220-1 V3.1.1:2017, EN 300 220-2 V3.2.1:2018 and ERC Recommendation 70-03 (2017) and VO-R/10/05.2014-3.*

*Complies with directives 2011/65/EU (RoHS) and 2012/19/EU (WEEE).*



## Trademarks

*The IQRF name and logo are registered trademarks of IQRF Tech s.r.o.  
All other trademarks mentioned herein are the property of their respective owners.*

## Legal

*All information contained in this publication is intended through suggestion only and may be superseded by updates without prior notice. No representation or warranty is given and no liability is assumed by IQRF Tech s.r.o. with respect to the accuracy or use of such information.*

*Without written permission, it is not allowed to copy or reproduce this information, even partially.*

*No licenses are conveyed, implicitly or otherwise, under any intellectual property rights.*

*IQRF® products utilize several patents (CZ, EU, US).*

---

**On-line support: [support@iqrf.org](mailto:support@iqrf.org)**

---



Smarter Wireless. Simply.