

TY-A6A

Switching Power Supply/Charger

User's Guide



Description

Switch mode power supply adapter TY-A6A converts AC voltage from common mains to low DC voltage for electric appliances requiring 5V DC up to 500 mA connected via the cable with the USB A connector.

Warning

Dangerous voltage inside the equipment!

Read this manual carefully before using the adapter. The adapter must be used for appointed purposes only. The manufacturer as well as the distributor take no responsibility for improper using of the adapter.



Applications

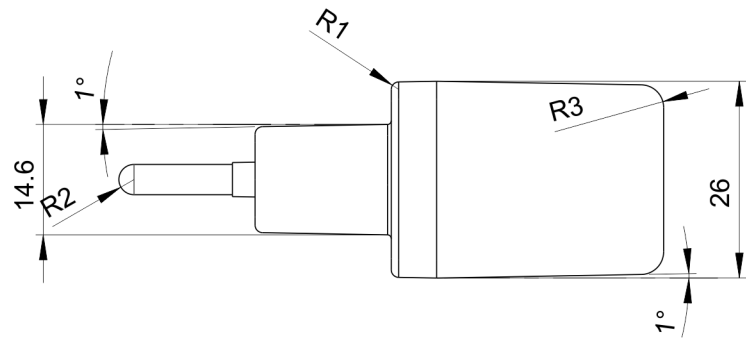
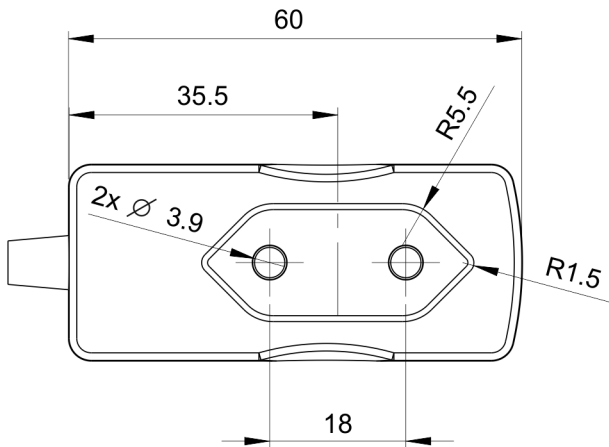
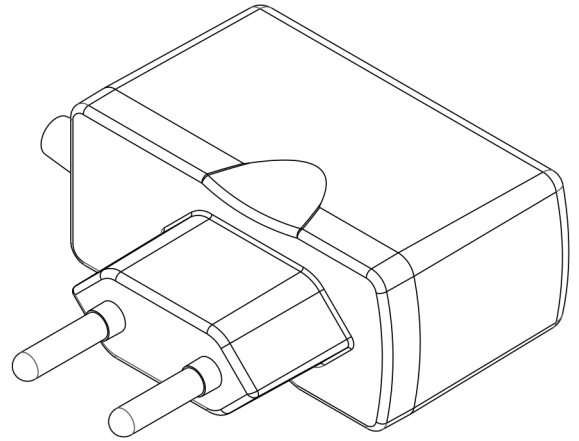
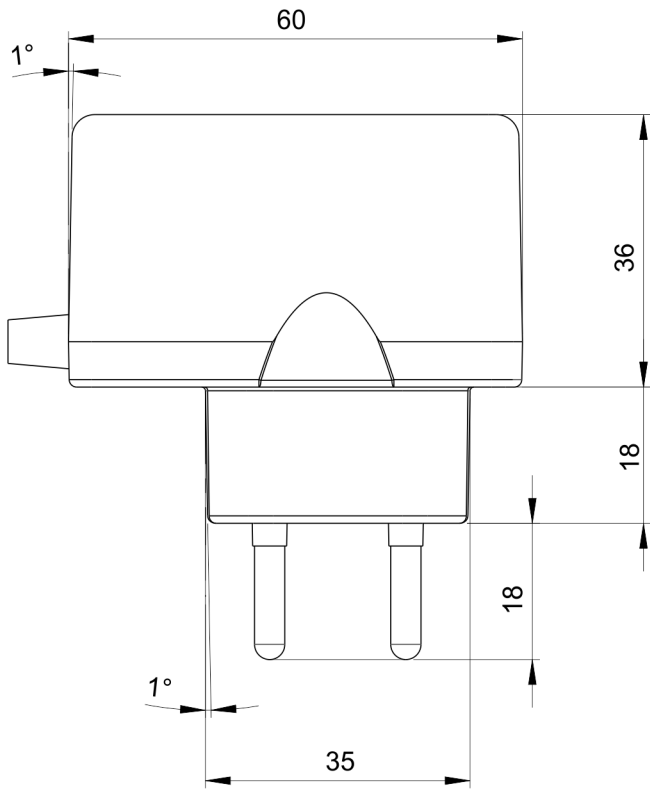
- IQRF platform, especially IQRF gateways and development tools
- For other appliances compatible with this adapter

Key features

- Connection to mains
- Stabilized output
- LED power indicator

Electrical specifications

Input	100–240 V AC, 50–60 Hz, max. 0.15 A
Output	5 V DC +6%, –10%, max. 500 mA
Protection classification	IP20
Operating conditions	Indoor, dry environment only
Operating temperature	0 °C to +70 °C
Tested according to	ČSN EN 60950-1:06+A11:09+A1:10 ČSN EN 55022:07+A1:08 ČSN EN 61000-3-2:06+A2:10 ČSN EN 61000-3-3:09 ČSN EN 55024:99+A2:03
Dimensions	60 x 72 x 26 mm
Connector	Standard USB A plug
Weight	40 g

Mechanical drawing


Usage

1. Make sure that the appliance is intended for this adapter – see User's guide of the appliance.
2. Make sure that there is no evidence of damage or malfunction of the adapter.
3. Make sure that conditions and mains are in accordance with the Electrical specifications above.
4. Connect the adapter to the appliance via the cable with the USB standard type A plug.
5. Plug the adapter to mains.

Safety rules

To avoid fire or injuries from electricity, keep the following rules:

- Keep the adapter clean including the connector.
- Do not expose the adapter to rain, humidity, increased temperature, impacts or vibrations.
- Do not use the adapter in a bathroom or in outdoor.
- Do not open the case. Do not modify the equipment. All repairs must be done by proper service only.
- The adapter can exude buzzing sound during operation. This is not an indication of malfunction.
- Disconnect the equipment from mains when it is not using.
- For liquidation act in accordance with local regulations.



Sales and Service

Corporate office

MICRORISC s.r.o., Delnicka 222, 506 01 Jicin, Czech Republic, EU
Tel: +420 493 538 125, Fax: +420 493 538 126, www.microrisc.com

Partners and distribution

Please visit www.iqrf.org/partners

Quality management

ISO 9001 : 2009 certified

Complies with Directive 2002/95/EC (RoHS)



Trademarks

*The IQRF name and logo are registered trademarks of MICRORISC s.r.o.
PIC, SPI, Microchip and all other trademarks mentioned herein are property of their respective owners.*

Legal

All information contained in this publication is intended through suggestion only and may be superseded by updates without prior notice. No representation or warranty is given and no liability is assumed by MICRORISC s.r.o. with respect to the accuracy or use of such information.

Without written permission it is not allowed to copy or reproduce this information, even partially.

No licenses are conveyed, implicitly or otherwise, under any intellectual property rights.

The IQRF products utilize several patents (CZ, EU, US)

On-line support: support@iqrf.org



Smarter wireless. Simply.