

TRDB-54DA-SL

Adapter for TRDB-54DA

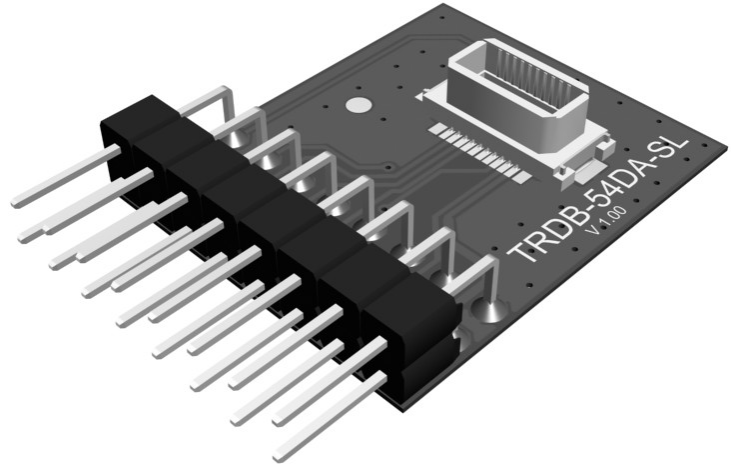
User's Guide



Description

TRDB-54DA-SL is a development adapter enabling to connect the TRDB-54DA development kit to user application.

It is an interface between the board-to-board fine pitch SMT connector and robust double row connector allowing user connection and easier handling.



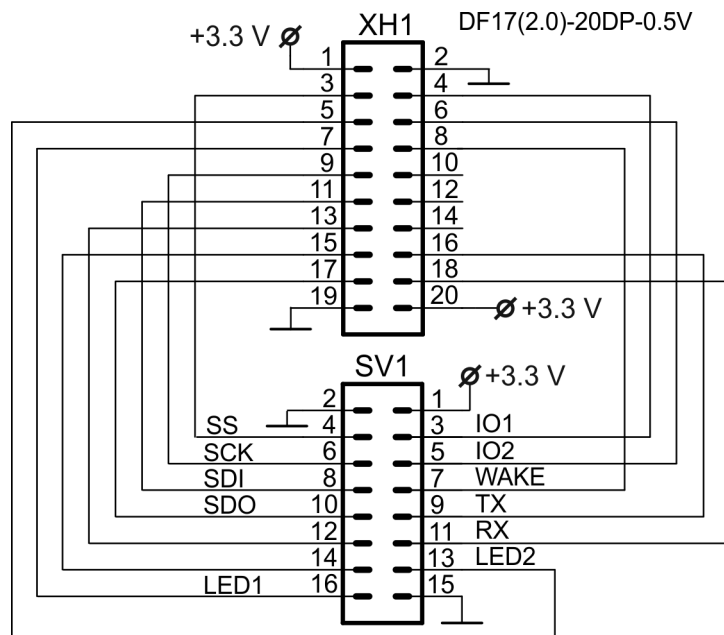
Applications

- For solderless development and debugging of SMT TR-54D(A) applications using the TRDB-54DA development kit.

Key features

- To be plugged in TRDB-54DA via board-to-board connector
- Connection to target board via robust double row connector
- All individual TR-54D pins accessible

Schematics

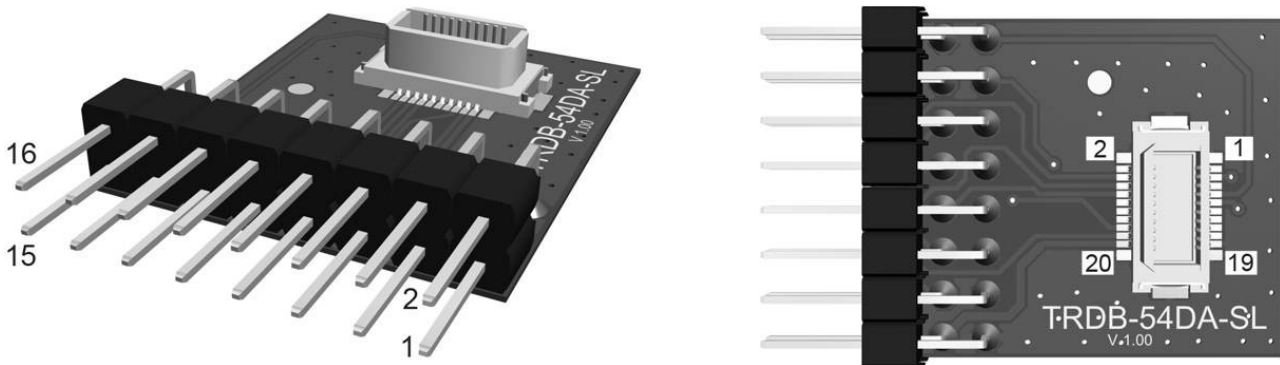


Hardware

Connectors

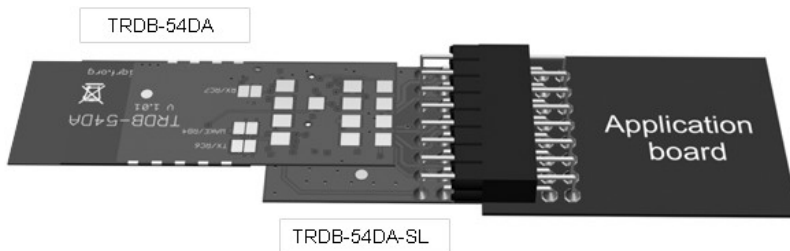
- XH1: Board-to-board 20-pin Hirose connector DF17(2.0)-20DP-0.5V mating to TRDB-54DA kit.
- SV1: Male 16-pin connector with square 0.635 mm, 2.54 mm pitch pins, 90°.

Pinout

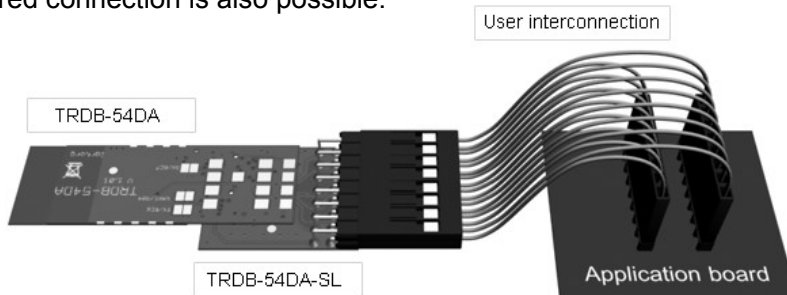


Application

Connection to user application via common connector. See also the TRDB-54DA User's guide.



Wired connection is also possible.



Product information

Ordering

This adapter is available as a part of the TRDB-54DA kit only.

Document history

- 130307 First release

Sales and Service

Corporate office

MICRORISC s.r.o., Delnicka 222, 506 01 Jicin, Czech Republic, EU
Tel: +420 493 538 125, Fax: +420 493 538 126, www.microrisc.com

Partners and distribution

Please visit www.iqrf.org/partners

Quality management

ISO 9001 : 2009 certified

Complies with Directive 2002/95/EC (RoHS)



Trademarks

*The IQRF name and logo are registered trademarks of MICRORISC s.r.o.
PIC, SPI, Microchip and all other trademarks mentioned herein are property of their respective owners.*

Legal

All information contained in this publication is intended through suggestion only and may be superseded by updates without prior notice. No representation or warranty is given and no liability is assumed by MICRORISC s.r.o. with respect to the accuracy or use of such information.

Without written permission it is not allowed to copy or reproduce this information, even partially.

No licenses are conveyed, implicitly or otherwise, under any intellectual property rights.

The IQRF products utilize several patents (CZ, EU, US)

On-line support: support@iqrf.org
