

RC-04

IQRF Programmable remote controller

User's Guide



Simple way to smarter wireless solutions

Description

RC-04 is a universal user programmable IQRF remote controller with bidirectional communication.

It is a generic equipment, i.e. the hardware is fixed and the user can realize specific functionality by software for internal microcontroller. This can be uploaded by the user via RF.



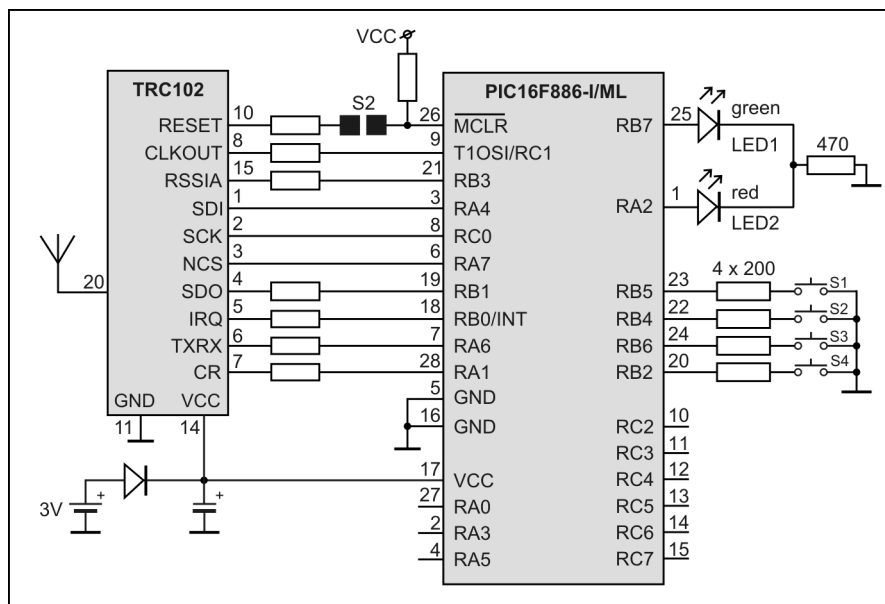
Applications

- Portable controller
- Automation
- Voting systems
- Wide usage facilities

Key features

- Built-in IQRF transceiver module programmable via RF
- Architecture based on TR-52, FSK
- On-board PCB antenna
- 4 pushbuttons, 2 LEDs
- Bidirectional communication – high security in comparison to unidirectional systems
- High performance
- Sleep mode with ultra low power consumption
- Coin battery
- Low cost

Simplified schematics



Electrical specifications
(typical values unless otherwise stated)

RF transceiver	built-in, based on the TR-52B architecture
RF IC	TRC102 (RFM)
Microcontroller	PIC16F886 (Microchip)
Antenna	PCB shortened ¼ wave whip
Frequency band	868 MHz or 916 MHz, multiple channels (SW selectable)
RF output power	up to 3.5 mW, programmable in 7 steps
Battery	Lithium 3V, 210 mAh coin cell CR2032
Supply current	<i>depends on application SW (see TR-52B datasheet for details)</i>
Sleep mode	0.8 µA (all peripherals shut down)
Additional watchdog supply current	2 µA typ., 4 µA max. (watchdog enabled)
Run mode	1 mA @ 8 MHz (RF circuitry in standby mode)
Additional supply current	0.6 mA (RF circuitry on) 2 mA (one or two LEDs on)
Rx mode	
STD mode	13 mA
LP mode	3.5 mA (depends on interferences)
XLP mode	600 µA max. (depends on interferences)
Tx mode	14 mA – 24 mA (according to RF output power)
Temperature range	0 °C to +70 °C
Dimensions	58 mm x 42 mm x 14 mm
Weight:	29 g (with the battery and the charm chain)

Absolute maximum ratings

Stresses above those values may cause permanent damage to the device. Exposure to maximum rating conditions for extended periods may affect device reliability.

Supply voltage (VCC):	3.5 V
Storage temperature:	-40 °C to +85 °C

Hardware

RC-04 is a generic equipment, i.e. the hardware is fixed and the user can realize specific functionality by software for integrated transceiver module only.

Power supply

RC-04 is supplied from the coin non-rechargeable battery.

Sleep mode

It is possible to switch off all functions and peripherals to minimize current. For Sleep mode control refer to demo software included. The power can not be switched off at all (unless removing the battery), the Sleep mode is used instead of this. The controller wakes-up automatically after any pushbutton press.

Pushbuttons and LEDs

Functionality of all four pushbuttons and both LEDs is fully under user software control.

RF transceiver

Integrated IQRF wireless transceiver based on the TR-52B architecture. User SW uploading is possible via IQRF wireless upload without opening the case.

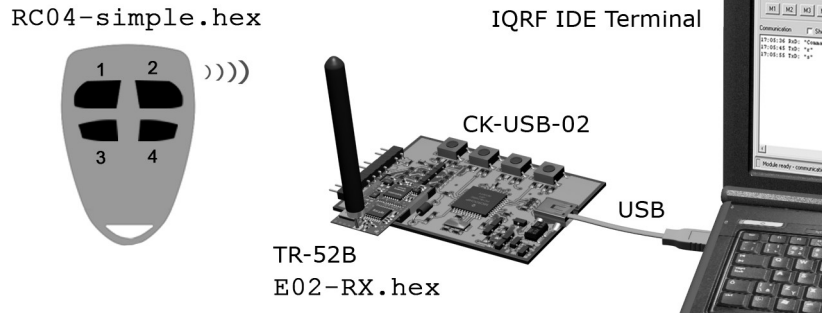
Antenna

Built-in PCB antenna on the RC-04 board.

Software

Demo application

This demo illustrates unidirectional non-networking communication between the RC-04 controller and the CK-USB-02 kit equipped with the TR-52B module connected to PC with the IQRF IDE Terminal running. The `RC04_simple.c` program is intended for the controller and the `E02-RX` (one of basic IQRF examples) for the TR module in the CK kit. Both are available on IQRF CD and IQRF website. To upload the `RC04_simple.hex` to the RC-04 via RF – see Application note AN009 – IQRF wireless upload. Switching to RF PGM mode after reset is enabled by default.



In idle state the controller stays in Sleep mode allowing wake-up by any pushbutton. After wake-up the battery voltage is checked and LEDs flashing indicates pressing the button and accumulator condition. Then respective command is sent to CK-USB-02 and the controller gets to sleep again.

Buttons	Function
• S1	text sent: "S1x" x=0 if battery O.K. otherwise x=1
• S2	text sent: "S2x" "-"
• S3	text sent: "S3x" "-"
• S4	text sent: "S4x" "-"
• S3 + S4 for more than 5 s	enter RF PGM mode
• S2 for more than 0.7 s	leave RF PGM mode

LED indication	
• button S1 to S4	1 x flash green (battery O.K.) / red (battery exhausted).
• RF PGM indication	See the Application note AN009 – IQRF wireless upload.

Pack list

- RC-04 remote controller with charm chain, battery inserted, the `RC04_simple` demo uploaded, in Sleep mode

Recommended options

- CK-USB-02 Programmer / development kit for wireless upload (RF PGM)
- TR-52BA Additional TR module for the CK-USB-02 for wireless upload (RF PGM)
- CAB-USBABMINI-200 USB cable to connect CK-USB-02 to PC

Ordering code

- RC-04 RC-04 Remote controller

Document history

- 100629 First release

Sales and Service

Corporate office

MICRORISC s.r.o., Delnicka 222, 506 01 Jicin, Czech Republic, EU
Tel: +420 493 538 125, Fax: +420 493 538 126, www.microrisc.com

Partners and distribution

Please visit www.iqrf.org/partners

Quality management

ISO 9001 : 2000 certified

*Complies with ETSI directives EN 30279 V.1.2.1:99, ETS 30683:97, ETSI EN 301489-1:00,
ETSI EN 300220-1:00, ETSI EN 300390-2V.1.1.1:00*

Complies with FCC directives FCC CFR, Title 47, Part 15, Section 15.209, FCC CFR, Title 47, Part 15, Section 15.249

Complies with Directive 2002/95/EC (RoHS)



Trademarks

*The IQRF name and logo are registered trademarks of MICRORISC s.r.o.
PIC, SPI, Microchip, RFM and all other trademarks mentioned herein are property of their respective owners.*

Legal

All information contained in this publication is intended through suggestion only and may be superseded by updates without prior notice. No representation or warranty is given and no liability is assumed by MICRORISC s.r.o. with respect to the accuracy or use of such information.

Without written permission it is not allowed to copy or reproduce this information, even partially.

No licenses are conveyed, implicitly or otherwise, under any intellectual property rights.

The IQRF products utilize several patents (CZ, EU, US)

On-line support: <http://iq-esupport.com>



Simple way to smarter wireless solutions