

# **KON-TR-01L**

**IQRF adapter**

**for TR modules without voltage regulator**

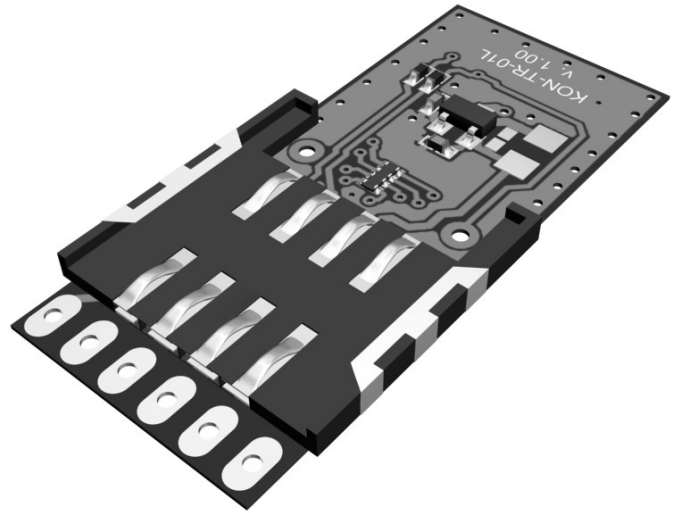
**User's Guide**



Smarter wireless. Simply.

## Description

KON-TR-01L is an adapter for TR modules in SIM card format without built-in voltage regulator (especially TR-55D) enabling to supply them from higher input power voltage and extending RF range when used with the DK-EVAL-04 development kit.



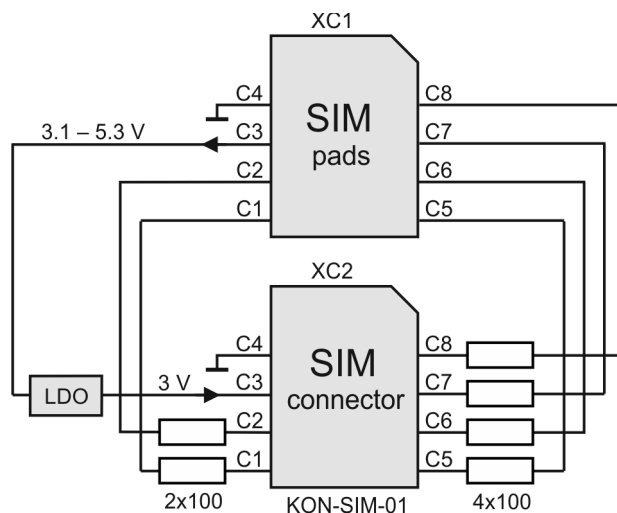
## Applications

- For TR modules in SIM card format, without LDO voltage regulator (especially TR-55D)
- For development with standard IQRF development kits, e.g. DK-EVAL-04.
- For range check with IQRF development kit DK-EVAL-04.

## Key features

- Input supply voltage 3.1 V – 5.3 V
- Output supply voltage 3.0 V
- Protection series resistors on I/O pins

## Simplified schematics



---

**Electrical specifications**

---

Power supply	
Input	3.1 V to 5.3 V
Output	3.0 V
Operating temperature	-40 °C to +85 °C
Size	35.0 mm x 14.9 mm x 3.8 mm
Weight	2 g

---

**Absolute maximum ratings**

---

Stresses above those values may cause permanent damage to the device. Exposure to maximum rating conditions for extended periods may affect device reliability.

Supply voltage	5.5 V
Storage temperature	-50 °C to +90 °C

---

**Hardware**

---

**LDO regulator IC**

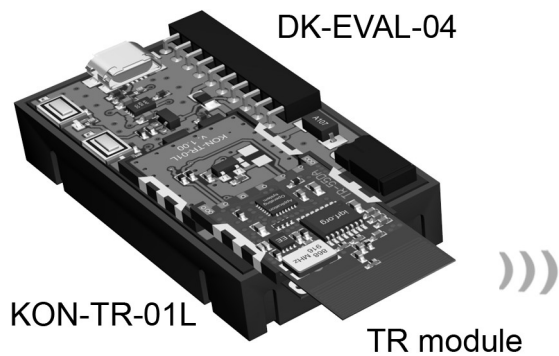
MCP1700-3002E (Microchip).

**Connectors**

- XC1: PCB edge connector to be plugged in the SIM socket of a development kit
  - XC2: SIM connector for TR module
- 

**Application**

---

**Typical usage example**

---

**Product information**

---

**Pack list**

- KON-TR-01L                      IQRF power supply adapter

**Recommended options**

- DK-EVAL-04                      IQRF development kit

**Ordering code**

- KON-TR-01L                      IQRF power supply adapter

**Document history**

- 130114                              First release

---

# Sales and Service

---

## Corporate office

MICRORISC s.r.o., Delnicka 222, 506 01 Jicin, Czech Republic, EU  
Tel: +420 493 538 125, Fax: +420 493 538 126, [www.microrisc.com](http://www.microrisc.com)

## Partners and distribution

Please visit [www.iqrf.org/partners](http://www.iqrf.org/partners)

---

## Quality management

*ISO 9001 : 2009 certified*

*Complies with ETSI directives EN 30279 V.1.2.1:99, ETS 30683:97, ETSI EN 301489-1:00,  
ETSI EN 300220-1:00, ETSI EN 300390-2V.1.1.1:00*

*Complies with FCC directives FCC CFR, Title 47, Part 15, Section 15.209, FCC CFR, Title 47, Part 15, Section 15.249*

*Complies with Directive 2002/95/EC (RoHS)*



## Trademarks

*The IQRF name and logo are registered trademarks of MICRORISC s.r.o.  
PIC, SPI, Microchip, RFM and all other trademarks mentioned herein are property of their respective owners.*

## Legal

*All information contained in this publication is intended through suggestion only and may be superseded by updates without prior notice. No representation or warranty is given and no liability is assumed by MICRORISC s.r.o. with respect to the accuracy or use of such information.*

*Without written permission it is not allowed to copy or reproduce this information, even partially.*

*No licenses are conveyed, implicitly or otherwise, under any intellectual property rights.*

*The IQRF products utilize several patents (CZ, EU, US)*

---

**On-line support: [support@iqrf.org](mailto:support@iqrf.org)**

---



Smarter wireless. Simply.