

KON-PGM-01

IQRF Programming Adapter

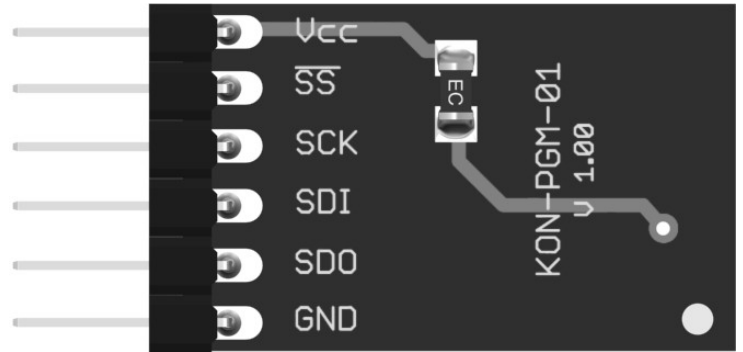
for TR-5xD

User's Guide



Description

KON-PGM-01 is a programming adapter enabling to upload a user code into TR-54D, TR-55D and other TR modules assembled in user equipment using standard IQRF programmers, e.g. CK-USB-04.



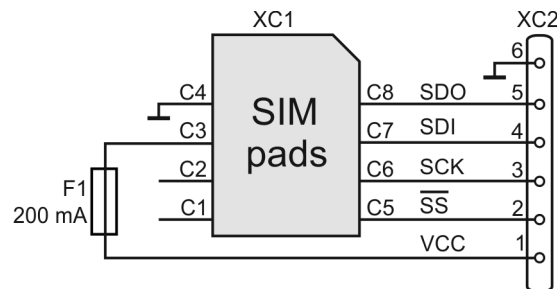
Applications

- TR-5xD upload

Key features

- Compatible with IQRF programmers, e.g. CK-USB-04
- To be plugged in the programmer via SIM connector
- Supported by the IQRF IDE development environment
- Interface to user equipment

Simplified schematics



Hardware

Fuse

- F1 – Resettable fuse SN020-30 (TME), 200 mA.

Connectors

- XC1: PCB edge connector to be plugged into the SIM socket of a programmer
- XC2: Single row connector with square 0.635 mm, 2.54 mm pitch pins, 90°, male.

Pin compatibility

Pin connection for individual TR modules:

KON-PGM-01	C5	C6	C7	C8
	-SS	SCK	SDI	SDO
TR-52D	C5	C6	C7	C8
TR-54D	Q11	Q6	Q7	Q8
TR-55D	Q3	Q6	Q5	Q4

Cable

No interconnection cable between the adapter (via connector XC2) and user application is provided. The user should create a connection according to specific application. **Max. 10 cm cable length is allowed.**

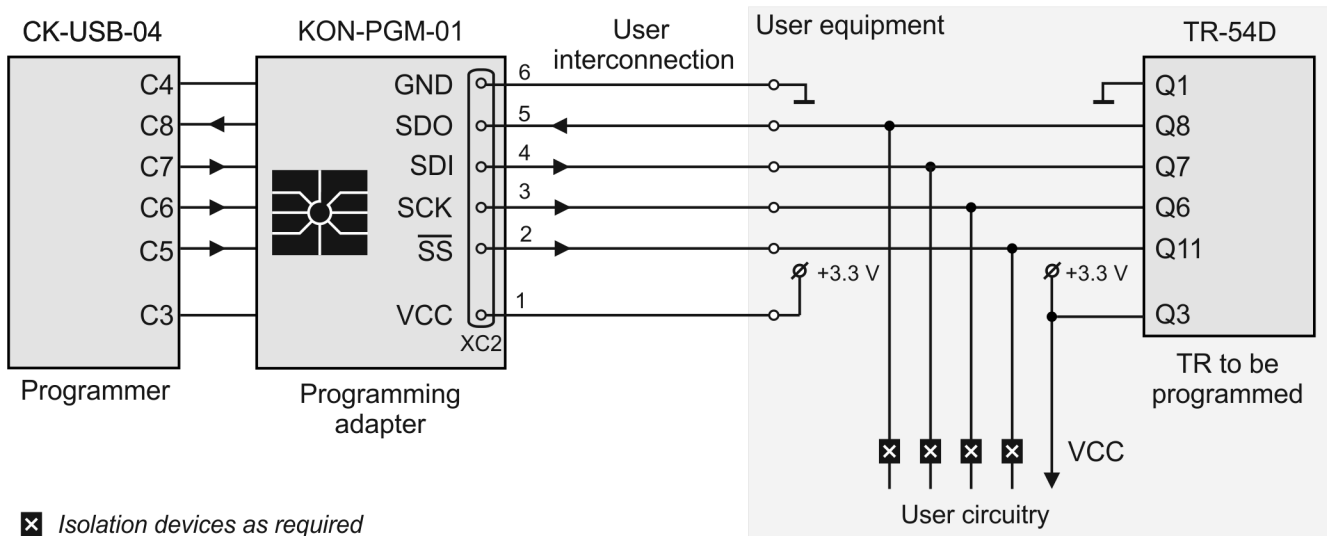
Application

To upload a user application to a TR module soldered in user equipment, programming pins and ground must be interconnected between the programmer and the TR. SPI lines must be isolated from other circuitry to avoid influencing on levels by the user equipment. Isolation devices are highly dependent on the specific application and may include devices such as resistors, diodes, or even jumpers. High impedance output can also be considered as a suitable isolation.

There are two ways of connection regarding power supply. Following diagrams show examples for TR-54D. For other TR types refer to the table *Pin compatibility*.

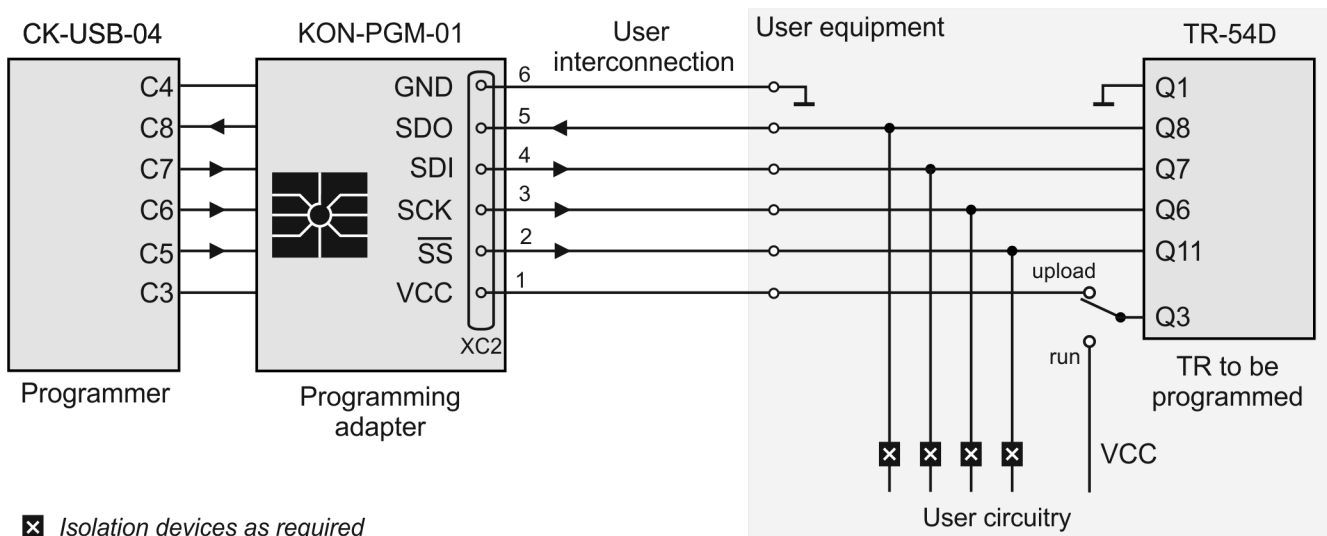
1. Application supplied from the programmer during upload

User applications with **3.3 V** supply voltage, consuming **100 mA max.** can be supplied from the programmer. Target equipment must have its own power source turned off during upload.



2. Application supplied from its own power source during upload

For user equipment consuming more than 100 mA just the TR module must be supplied from the programmer. Thus, independent power source supplying the rest of the equipment must be separated during upload.



Product information

Pack list

- KON-PGM-01 IQRF programming adapter for TR-5xD, without a cable

Recommended options

- CK-USB-04 IQRF programmer

Ordering code

- KON-PGM-01 IQRF programming adapter

Document history

- 120925 Table *Pin compatibility* added.
- 120703 First release

Sales and Service

Corporate office

MICRORISC s.r.o., Delnicka 222, 506 01 Jicin, Czech Republic, EU
Tel: +420 493 538 125, Fax: +420 493 538 126, www.microrisc.com

Partners and distribution

Please visit www.iqrf.org/partners

Quality management

ISO 9001 : 2009 certified

*Complies with ETSI directives EN 30279 V.1.2.1:99, ETS 30683:97, ETSI EN 301489-1:00,
ETSI EN 300220-1:00, ETSI EN 300390-2V.1.1.1:00*

Complies with FCC directives FCC CFR, Title 47, Part 15, Section 15.209, FCC CFR, Title 47, Part 15, Section 15.249

Complies with Directive 2002/95/EC (RoHS)



Trademarks

*The IQRF name and logo are registered trademarks of MICRORISC s.r.o.
PIC, SPI, Microchip, RFM and all other trademarks mentioned herein are property of their respective owners.*

Legal

All information contained in this publication is intended through suggestion only and may be superseded by updates without prior notice. No representation or warranty is given and no liability is assumed by MICRORISC s.r.o. with respect to the accuracy or use of such information.

Without written permission it is not allowed to copy or reproduce this information, even partially.

No licenses are conveyed, implicitly or otherwise, under any intellectual property rights.

The IQRF products utilize several patents (CZ, EU, US)

On-line support: support@iqrf.org



Smarter wireless. Simply.