

KON-EXT-01

IQRF Adapter for Range Check

for DK-EVAL-04

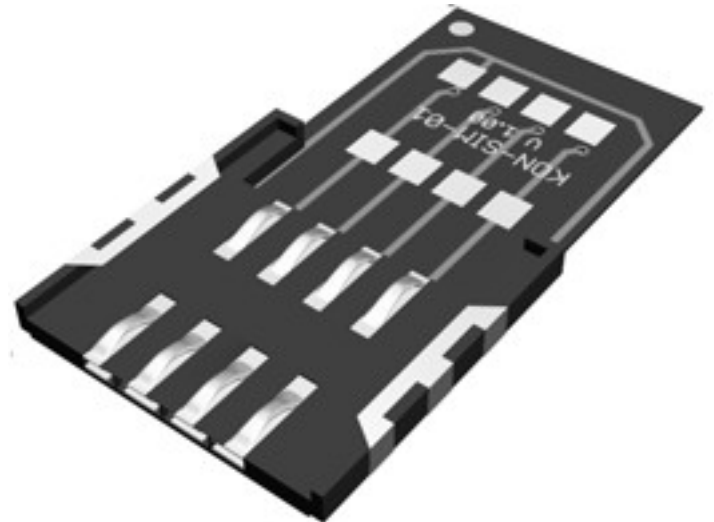
User's Guide



Description

KON-EXT-01 is an adapter to check RF range of TR modules in SIM format using the DK-EVAL-04 development kit.

DK-EVAL-04 is optimized for space but not for the range. Thus, the range is shortened due to compressed PCB layout for ~ 30% when used without KON-EXT-01.



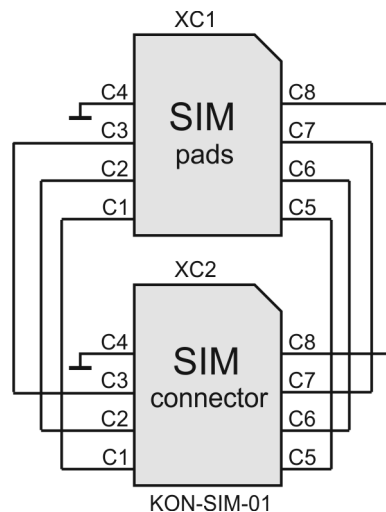
Applications

- For range check using DK-EVAL-04

Key features

- Compatible with all TR modules in SIM card format
- To be plugged in DK-EVAL-04 via SIM connector

Schematics



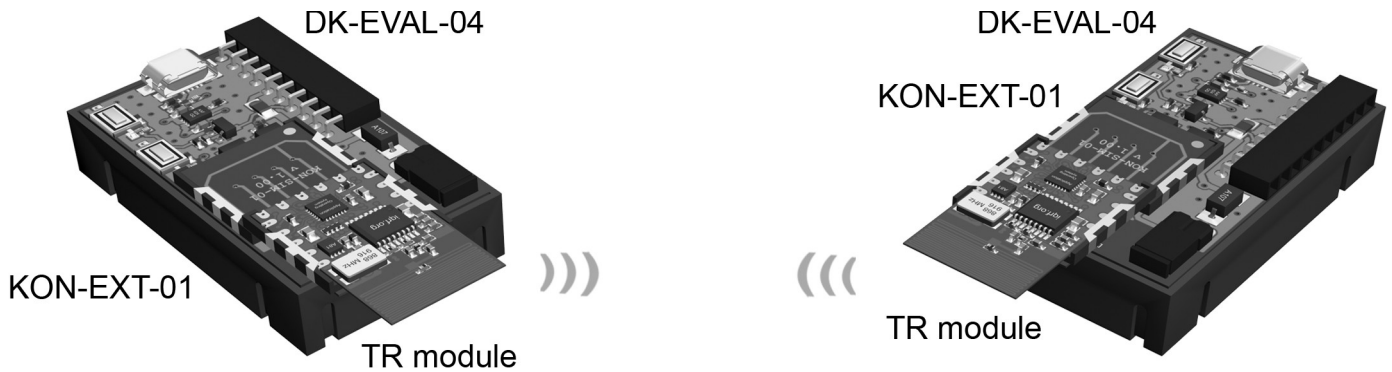
Hardware

Connectors

- XC1: PCB edge connector to be plugged in the DK-EVAL-04 SIM socket
- XC2: SIM connector for TR module

Application

Typical usage



Tip 1: Use basic example E09-LINK from IQRF Startup package for range check.

Tip 2: Use DK-EVAL-04 with and without adapter KON-EXT-01 to watch the difference in range due to PCB layout.

Product information

Pack list

- KON-EXT-01 IQRF adapter for range check

Recommended options

- DK-EVAL-04 IQRF development kit

Ordering code

- KON-EXT-01 IQRF programming adapter

Document history

- 120725 First release

Sales and Service

Corporate office

MICRORISC s.r.o., Delnicka 222, 506 01 Jicin, Czech Republic, EU
Tel: +420 493 538 125, Fax: +420 493 538 126, www.microrisc.com

Partners and distribution

Please visit www.iqrf.org/partners

Quality management

ISO 9001 : 2009 certified

*Complies with ETSI directives EN 30279 V.1.2.1:99, ETS 30683:97, ETSI EN 301489-1:00,
ETSI EN 300220-1:00, ETSI EN 300390-2V.1.1.1:00*

Complies with FCC directives FCC CFR, Title 47, Part 15, Section 15.209, FCC CFR, Title 47, Part 15, Section 15.249

Complies with Directive 2002/95/EC (RoHS)



Trademarks

*The IQRF name and logo are registered trademarks of MICRORISC s.r.o.
PIC, SPI, Microchip, RFM and all other trademarks mentioned herein are property of their respective owners.*

Legal

All information contained in this publication is intended through suggestion only and may be superseded by updates without prior notice. No representation or warranty is given and no liability is assumed by MICRORISC s.r.o. with respect to the accuracy or use of such information.

Without written permission it is not allowed to copy or reproduce this information, even partially.

No licenses are conveyed, implicitly or otherwise, under any intellectual property rights.

The IQRF products utilize several patents (CZ, EU, US)

On-line support: support@iqrf.org
