

DK-PGM-02-TMP

**Precision temperature sensor board
for DK-PGM-02**

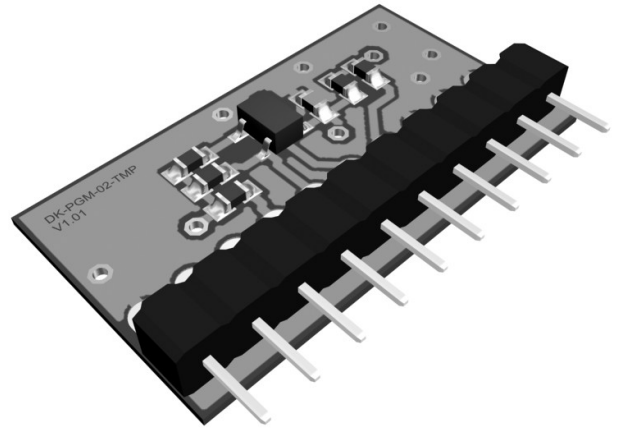
User's Guide



Simple way to smarter wireless solutions

Description

Development board for high accuracy temperature measurement using DK-PGM-02 development kit.



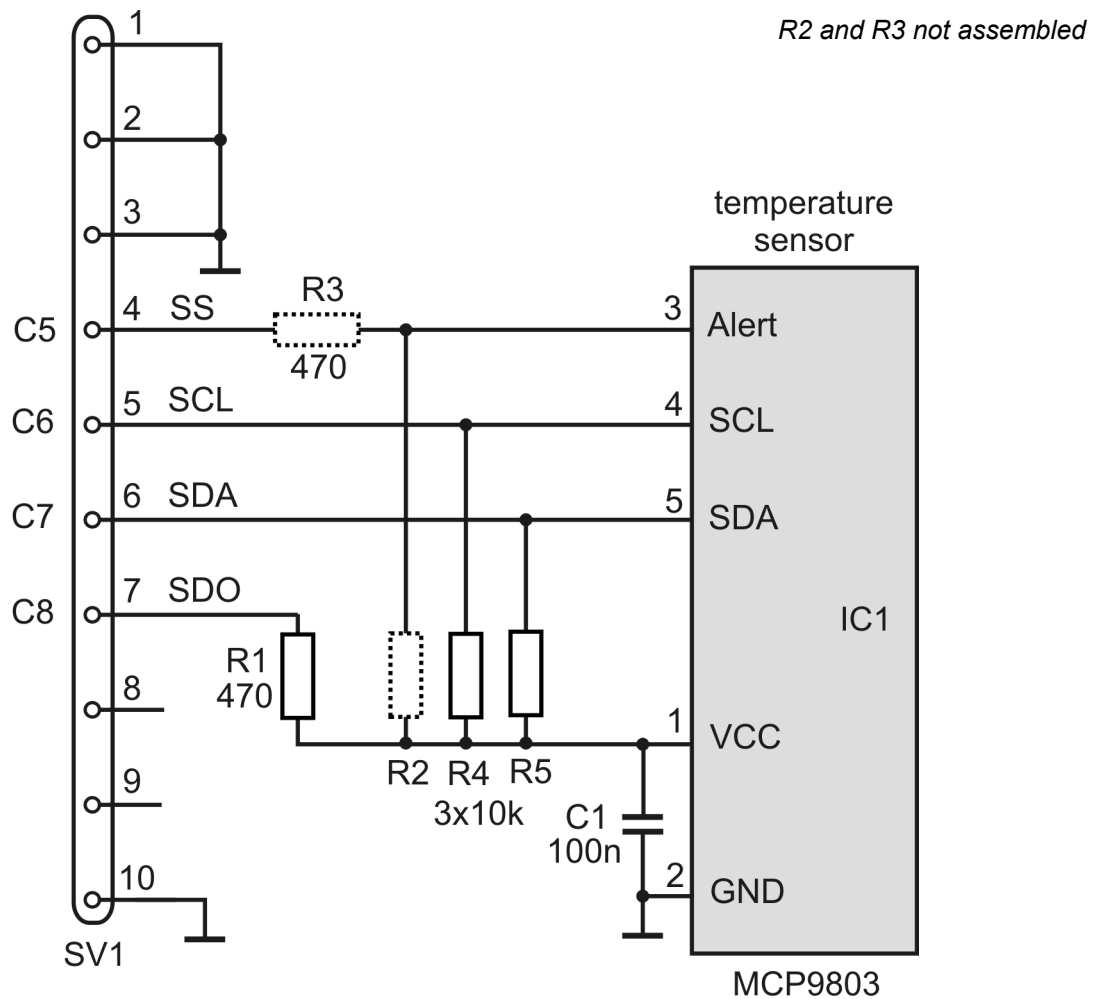
Applications

- Development and debugging

Key features

- 12-bit resolution
- $\pm 0.5^{\circ}\text{C}$ (typ.) at $+25^{\circ}\text{C}$
- I²C bus
- Interface to DK-PGM-02
- No power source needed

Schematics



Electrical specifications

(typical values unless otherwise stated)

Operating voltage	5.5 V max.
Temperature range	-15 °C to +70 °C
Dimensions	26 mm x 14 mm x 5 mm
Weight	4 g

Absolute maximum ratings

Stresses above those values may cause permanent damage to the device. Exposure to maximum rating conditions for extended periods may affect device reliability.

Operating voltage:	6.0 V
Storage temperature:	-40 °C to +85 °C

Hardware

DK-PGM-02 connection

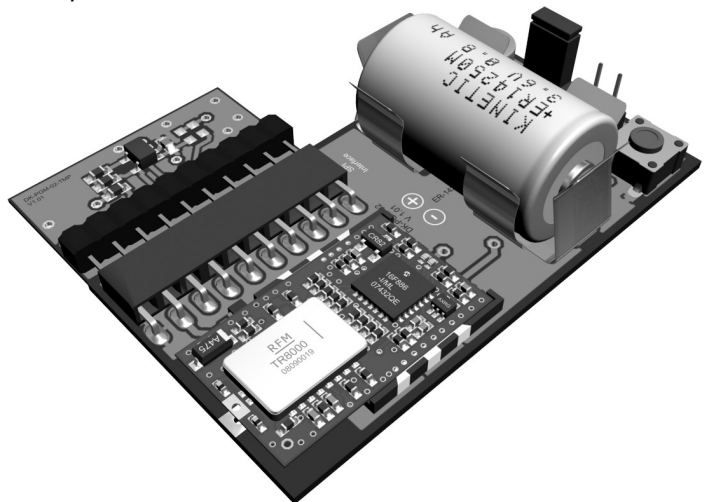
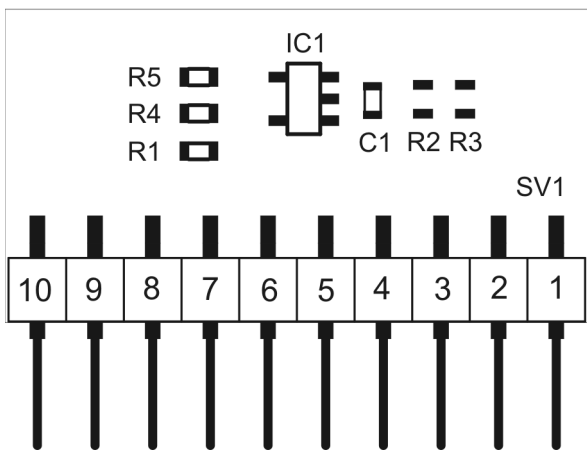
DK-PGM-02 should be connected via the SV1 connector.

Power supply

DK-PGM-02-TMP has no separate power source. Temperature sensor is supplied from pins of the TR module inserted in the DK-PGM-02 kit.

Temperature sensor

2-wire I²C high-accuracy temperature sensor MCP9803 by Microchip.



Application

See example [I2C thermometer](#) at www.iqrf.org.

Pack list

- DK-PGM-02-TMP Temperature sensor board

Recommended options

- DK-PGM-02 IQRF universal development kit

Ordering code

- DK-PGM-02-TMP Temperature sensor board

Document history

- 100603 First release

Sales and Service

Corporate office

MICRORISC s.r.o., Delnicka 222, 506 01 Jicin, Czech Republic, EU
Tel: +420 493 538 125, Fax: +420 493 538 126, www.microrisc.com

Partners and distribution

Please visit www.iqrf.org/partners

Quality management

ISO 9001 : 2000 certified

*Complies with ETSI directives EN 30279 V.1.2.1:99, ETS 30683:97, ETSI EN 301489-1:00,
ETSI EN 300220-1:00, ETSI EN 300390-2V.1.1.1:00*

Complies with FCC directives FCC CFR, Title 47, Part 15, Section 15.209, FCC CFR, Title 47, Part 15, Section 15.249

Complies with Directive 2002/95/EC (RoHS)



Trademarks

*The IQRF name and logo are registered trademarks of MICRORISC s.r.o.
PIC, SPI, Microchip, RFM and all other trademarks mentioned herein are property of their respective owners.*

Legal

All information contained in this publication is intended through suggestion only and may be superseded by updates without prior notice. No representation or warranty is given and no liability is assumed by MICRORISC s.r.o. with respect to the accuracy or use of such information.

Without written permission it is not allowed to copy or reproduce this information, even partially.

No licenses are conveyed, implicitly or otherwise, under any intellectual property rights.

The IQRF products utilize several patents (CZ, EU, US)

On-line support: <http://iq-esupport.com>



Simple way to smarter wireless solutions