

# **DK-PGM-02-LED**

**LED Indication for DK-PGM-02**

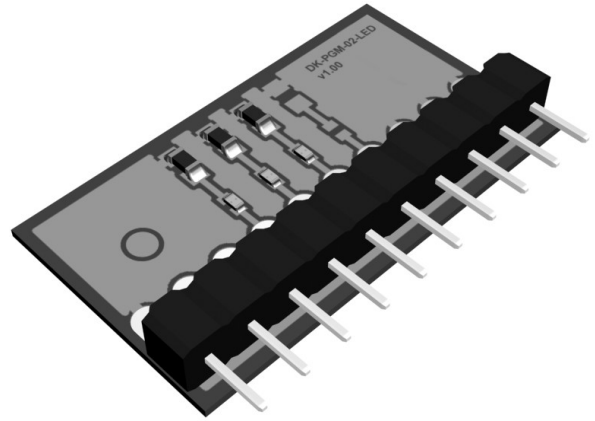
## **User's Guide**



Simple way to smarter wireless solutions

## Description

DK-PGM-02-LED is an LED indication board for the DK-PGM-02 development kit intended for debugging.



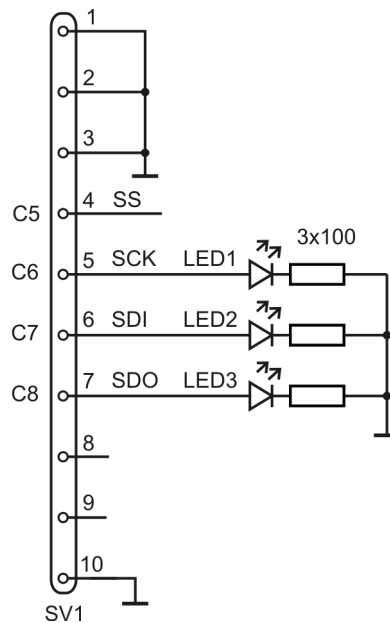
## Applications

- Development and debugging

## Key features

- 3 indication LEDs for digital outputs
- Interface to DK-PGM-02
- No power source needed

## Schematics



## Electrical specifications

(typical values unless otherwise stated)

Input voltage	5.2 V max.
Temperature range	0 °C to +70 °C
Dimensions	26 mm x 14 mm x 5 mm
Weight	4 g

## Absolute maximum ratings

Stresses above those values may cause permanent damage to the device. Exposure to maximum rating conditions for extended periods may affect device reliability.

Input voltage:	6 V
Storage temperature:	-40 °C to +85 °C

## Hardware

### DK-PGM-02 connection

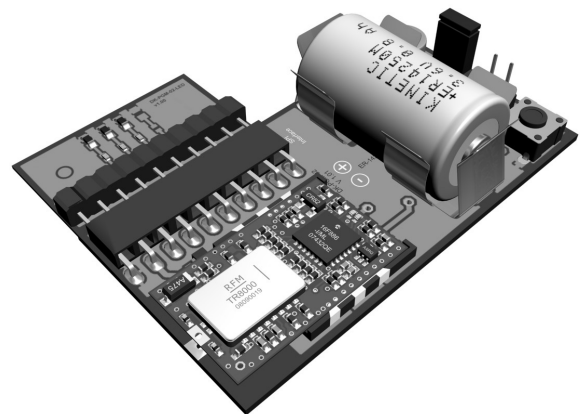
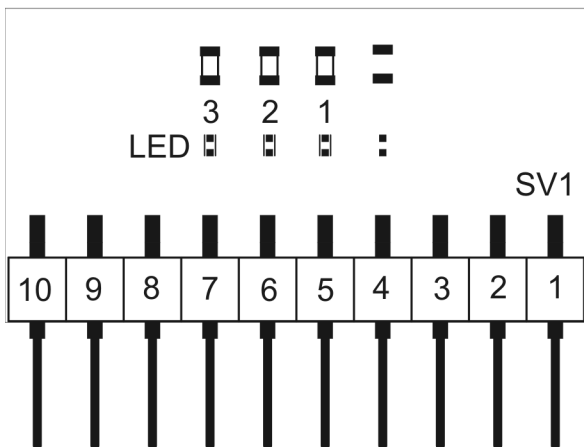
DK-PGM-02 should be connected via the SV1 connector.

### Power supply

DK-PGM-02-LED has no separate power source. LEDs are supplied from pins of the TR module inserted in DK-PGM-02.

### LEDs

LED1 to 3 monitor digital outputs C6 to C8 of the TR module (active high).



## Pack list

- DK-PGM-02-LED LED indication board

## Recommended options

- DK-PGM-02 IQRF universal development kit

## Ordering code

- DK-PGM-02-LED LED indication board

## Document history

- 100116 First release

---

# Sales and Service

---

## Corporate office

MICRORISC s.r.o., Delnicka 222, 506 01 Jicin, Czech Republic, EU  
Tel: +420 493 538 125, Fax: +420 493 538 126, [www.microrisc.com](http://www.microrisc.com)

## Partners and distribution

Please visit [www.iqrf.org/partners](http://www.iqrf.org/partners)

---

## Quality management

*ISO 9001 : 2000 certified*

*Complies with ETSI directives EN 30279 V.1.2.1:99, ETS 30683:97, ETSI EN 301489-1:00,  
ETSI EN 300220-1:00, ETSI EN 300390-2V.1.1.1:00*

*Complies with FCC directives FCC CFR, Title 47, Part 15, Section 15.209, FCC CFR, Title 47, Part 15, Section 15.249*

*Complies with Directive 2002/95/EC (RoHS)*



## Trademarks

*The IQRF name and logo are registered trademarks of MICRORISC s.r.o.  
PIC, SPI, Microchip, RFM and all other trademarks mentioned herein are property of their respective owners.*

## Legal

*All information contained in this publication is intended through suggestion only and may be superseded by updates without prior notice. No representation or warranty is given and no liability is assumed by MICRORISC s.r.o. with respect to the accuracy or use of such information.*

*Without written permission it is not allowed to copy or reproduce this information, even partially.*

*No licenses are conveyed, implicitly or otherwise, under any intellectual property rights.*

*The IQRF products utilize several patents (CZ, EU, US)*

---

**On-line support: <http://iq-esupport.com>**

---



Simple way to smarter wireless solutions