

# **CK-USB-02**

## **IQRF Development Kit**

**Firmware v2.00**

## **User's Manual**



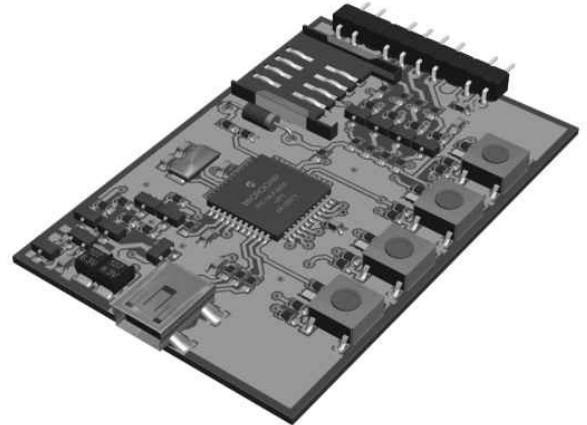
Simple way to smarter wireless solutions

## Description

CK-USB-02 is a development kit intended for programming and debugging of user applications based on IQRF transceiver modules.

It can serve even as a final application, either in the Custom device (USB) or in the Communication device class (CDC, UART) mode. CDC class is intended for experimental purposes only.

In the CDC mode a virtual COM port is created to access a PC via USB like a standard UART. No special PC software needed.



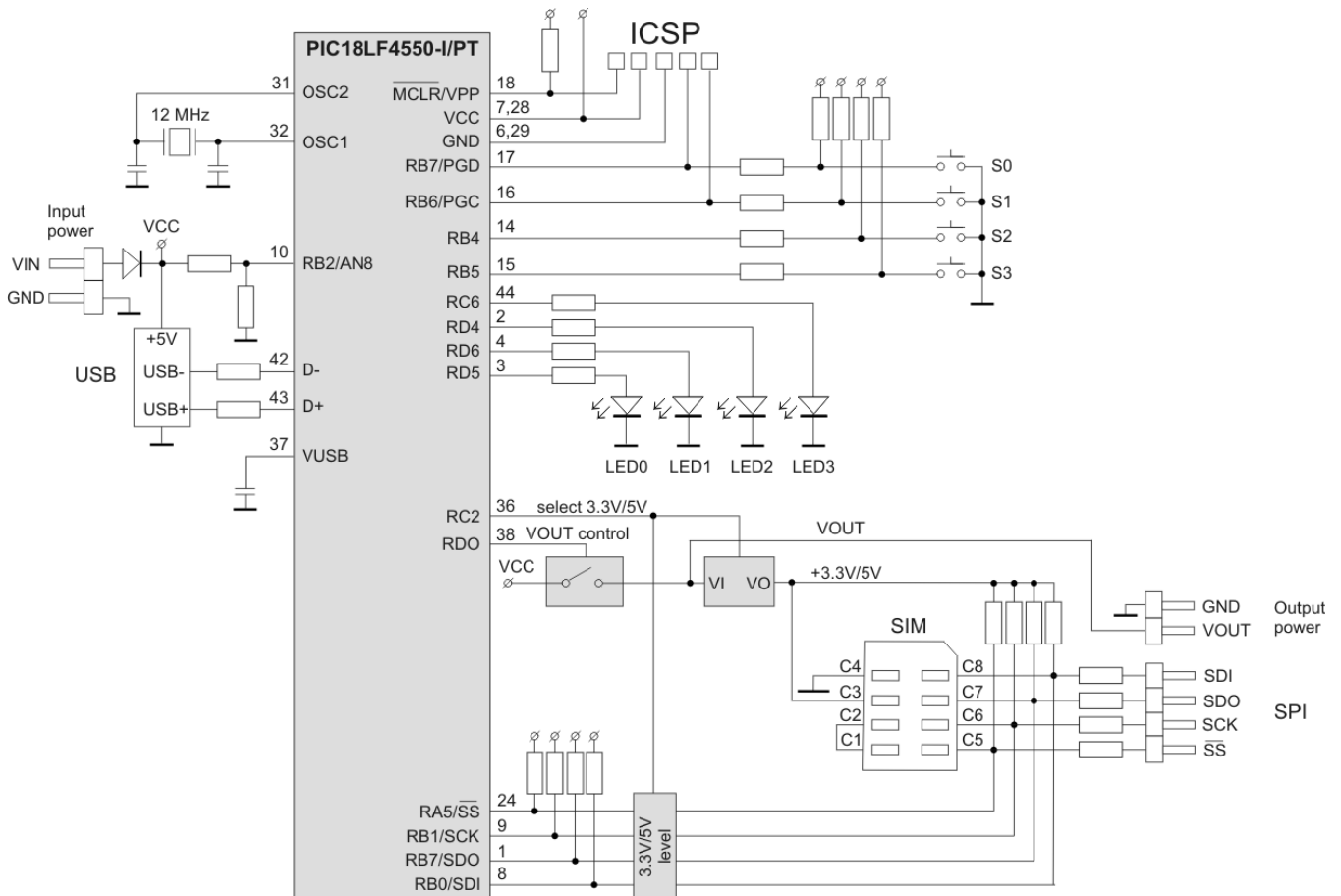
## Applications

- Programmer for IQRF transceiver modules
- IQRF debugging kit
- End IQRF application host
- USB gateway
- USB to SPI converter
- PC connectivity (USB, virtual UART)

## Key features

- SIM connector for transceiver module
- Interface to external I/Os
- USB interface (custom device, MICRORISC VID & PID)
- Communication device class (CDC, UART)
- 4 pushbuttons, 4 LEDs
- USB or external power supply
- Supported by the IQRF IDE development environment
- Up to 5 devices controlled by IQRF IDEs on single PC
- Bootloader for firmware upgrade

## Simplified schematics





## Installing and application

See Application note AN003, IQRF IDE Help and IQRF application examples ([www.iqrf.org](http://www.iqrf.org)).

## Upgrade

CK-USB-02 firmware can be upgraded by the user with new versions released by the IQRF manufacturer. See Application note AN008 ([www.iqrf.org](http://www.iqrf.org)).

---

## Pack list

---

- CK-USB-02 board (without a TR-module)

## Recommended options

- CAB-USBABMINI-200 standard miniUSB communication cable (USB A ↔ mini USB)

## Ordering code

- CK-USB-02 IQRF development kit

## Document history

- 100703 Revised.
- 081228 First release

---

# Sales and Service

---

## Corporate office

MICRORISC s.r.o., Delnicka 222, 506 01 Jicin, Czech Republic, EU  
Tel: +420 493 538 125, Fax: +420 493 538 126, [www.microrisc.com](http://www.microrisc.com)

## Partners and distribution

Please visit [www.iqrf.org/partners](http://www.iqrf.org/partners)

---

## Quality management

*ISO 9001 : 2000 certified*

*Complies with ETSI directives EN 30279 V.1.2.1:99, ETS 30683:97, ETSI EN 301489-1:00,  
ETSI EN 300220-1:00, ETSI EN 300390-2V.1.1.1:00*

*Complies with FCC directives FCC CFR, Title 47, Part 15, Section 15.209, FCC CFR, Title 47, Part 15, Section 15.249*

*Complies with Directive 2002/95/EC (RoHS)*



## Trademarks

*The IQRF name and logo are registered trademarks of MICRORISC s.r.o.  
PIC, SPI, Microchip, RFM and all other trademarks mentioned herein are property of their respective owners.*

## Legal

*All information contained in this publication is intended through suggestion only and may be superseded by updates without prior notice. No representation or warranty is given and no liability is assumed by MICRORISC s.r.o. with respect to the accuracy or use of such information.*

*Without written permission it is not allowed to copy or reproduce this information, even partially.*

*No licenses are conveyed, implicitly or otherwise, under any intellectual property rights.*

*The IQRF products utilize several patents (CZ, EU, US)*

---

**On-line support: <http://iq-esupport.com>**

---



**Simple way to smarter wireless solutions**