

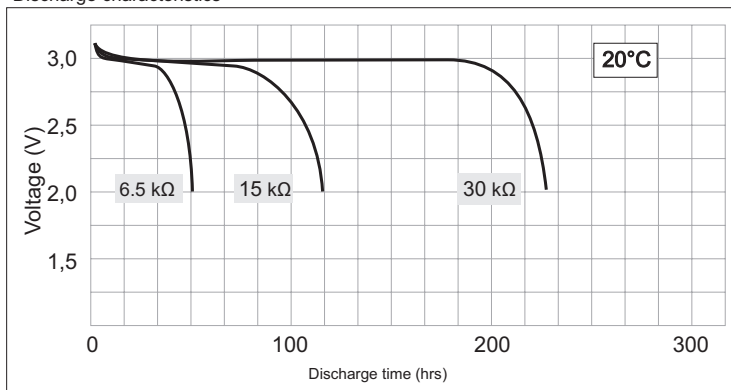
# Lithium coin battery

## Specification

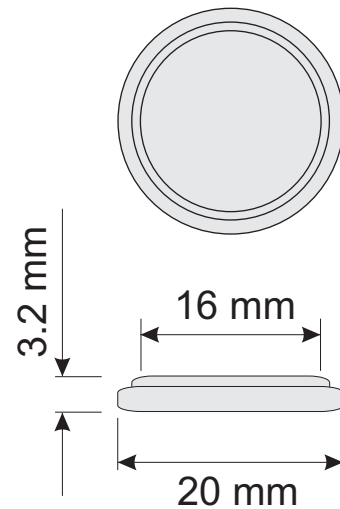
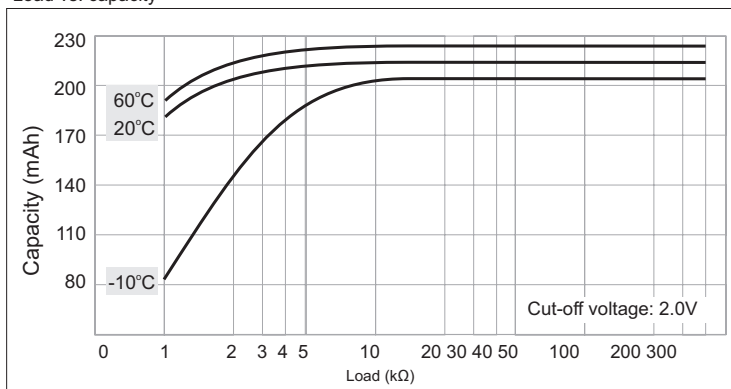
|                     |  |
|---------------------|--|
| Type                | BK-CR2032  |
| Manufacturer        | Well Link, Kinetic   |
| Description         | <b>Lithium coin battery</b>                                    |
| Nominal capacity    | <b>215 mAh</b> (continuous discharge @ 30 kΩ)                  |
| Nominal voltage     | <b>3 V</b>   |
| Cut-off voltage     | 2.0 V  |
| Weight              | 2.8 g  |
| Shelf life          | 2 years after production                                       |
| Recommended current | 15 mA (pulse), 0.2 mA (standard), 4μA (low)                    |
| Lifetime            | 1 150 hrs (discharge @ 15 kΩ)<br>2 310 hrs (discharge @ 30 kΩ) |
| Usage               | consumer electronics<br>low power wireless devices             |



Discharge characteristics



Load vs. capacity



Simple way to smarter wireless solutions