

ANT-FLEXI-NFC-01x

NFC antenna

Datasheet



Smarter Wireless. Simply.

Description

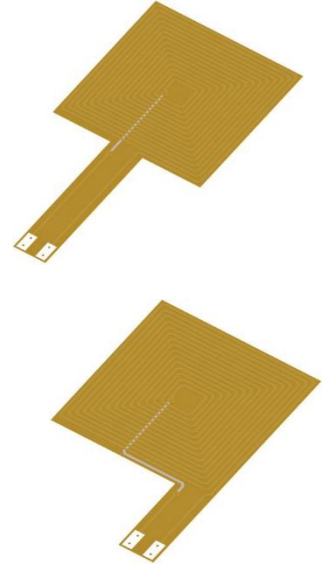
Antenna 13.56 MHz for contactless Near Field Communication (NFC).
Printed on a flexible film.

Features

- For energy harvesting (NFC card emulation) mode
- For NFC ICs like the NFC EEPROM memory ST25DV by STMicroelectronics
- Available in two designs to fit inside the user-specific enclosure

Applications

- For using inside IQRF devices utilizing NFC, e.g. for easy and secure including devices into the IQRF wireless network
- Other development, installation, maintenance and service tasks required for IQRF network devices



RF parameters

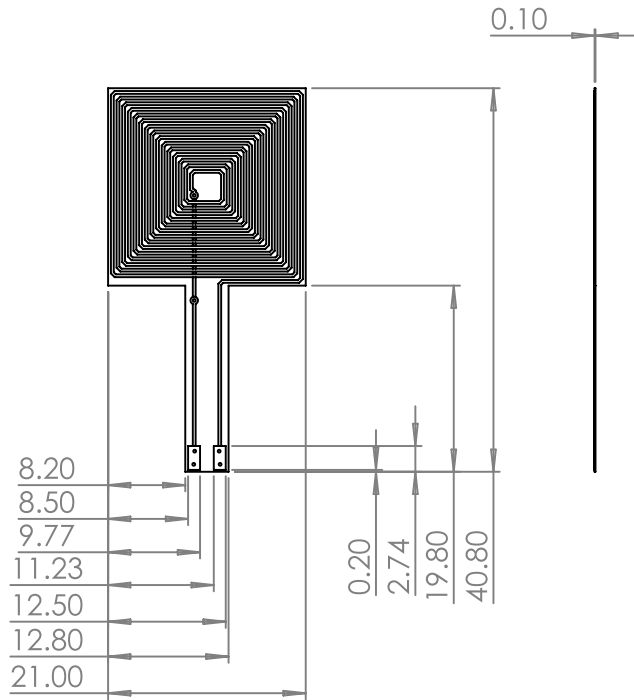
Frequency	13.56 MHz
RF range	From 2.5 cm to 4 cm (depending on the plastic enclosure and the RF counterpart, typically with NFC IC ST25DV).
Polarization	Vertical (when the antenna is mounted vertically)
Radiation pattern	Omnidirectional in the horizontal plane (when the antenna is mounted vertically)

Mechanical parameters

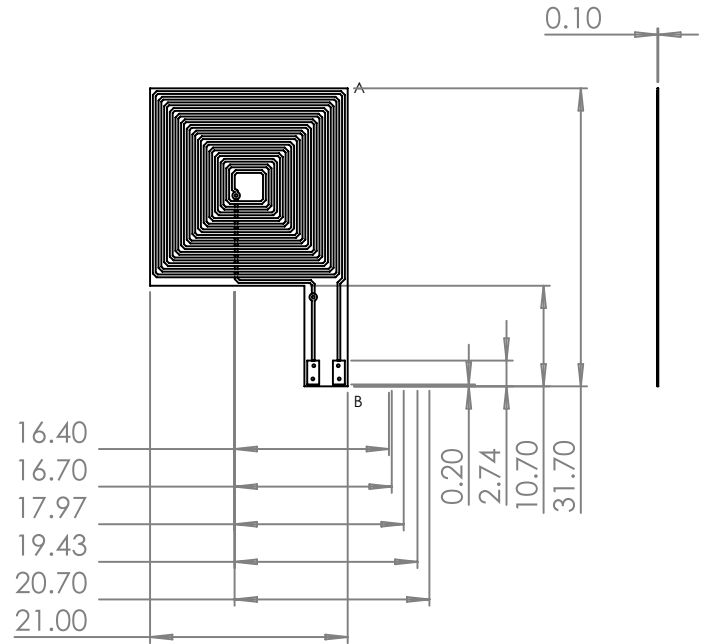
Material	Polyimide film, thickness 0.1 mm
Terminal	Gold-plated
Connection	Soldering
Dimensions	
ANT-FLEXI-NFC-01A	21.0 x 40.8 x 0.1 mm
ANT-FLEXI-NFC-01B	21.0 x 31.7 x 0.1 mm
Weight	0.1 g
Ambient temperature	-40 to +85 °C

All parameters are for guidance only and should be considered as typical.

Mechanical drawing



ANT-FLEXI-NFC-01A



ANT-FLEXI-NFC-01B

Product information

Ordering code

ANT-FLEXI-NFC-01A Antenna, with terminal in the middle, terminal length 19.8 mm

ANT-FLEXI-NFC-01B Antenna, with terminal on the side, terminal length 10.7 mm

Document history

201026 First release

Sales and Service

Corporate office

IQRF Tech s.r.o., Prumyslova 1275, 506 01 Jicin, Czech Republic, EU

Tel: +420 493 538 125, www.iqrf.org

E-mail (commercial matters): sales@iqrf.org

Technology and development

www.iqrf.org

E-mail (technical matters): support@iqrf.org

Partners and distribution

www.iqrf.org/partners

Quality management

ISO 9001 : 2009 certified

Complies with directives 2011/65/EU (RoHS) and 2012/19/EU (WEEE).



Trademarks

The IQRF name and logo are registered trademarks of IQRF Tech s.r.o.

PIC, SPI, Microchip, and all other trademarks mentioned herein are property of their respective owners.

Legal

All information contained in this publication is intended through suggestion only and may be superseded by updates without prior notice. No representation or warranty is given and no liability is assumed by IQRF Tech s.r.o. with respect to the accuracy or use of such information.

Without written permission, it is not allowed to copy or reproduce this information, even partially.

No licenses are conveyed, implicitly or otherwise, under any intellectual property rights.

The IQRF® products utilize several patents (CZ, EU, US).

On-line support: support@iqrf.org
