

TR-32B

Transceiver Module

Data Sheet

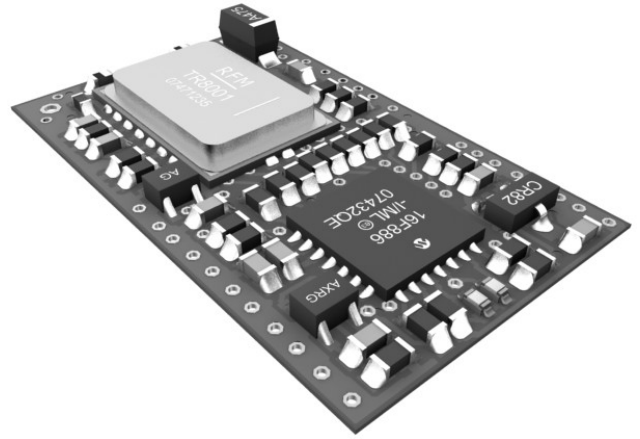
- TR-32B-868
- TR-32B-916



Simple way to smarter wireless solutions

Description

TR-32B is a family of IQRF transceiver modules operating in the 868 MHz or 916 MHz license free ISM (Industry, Scientific and Medical) frequency band. Its highly integrated ready-to-use design requires no external components. The microcontroller with built-in operating system, excellent development support, integrated LDO regulator and temperature sensor dramatically reduce time of application development. Ultra low power consumption predetermines these modules for use in battery powered applications.



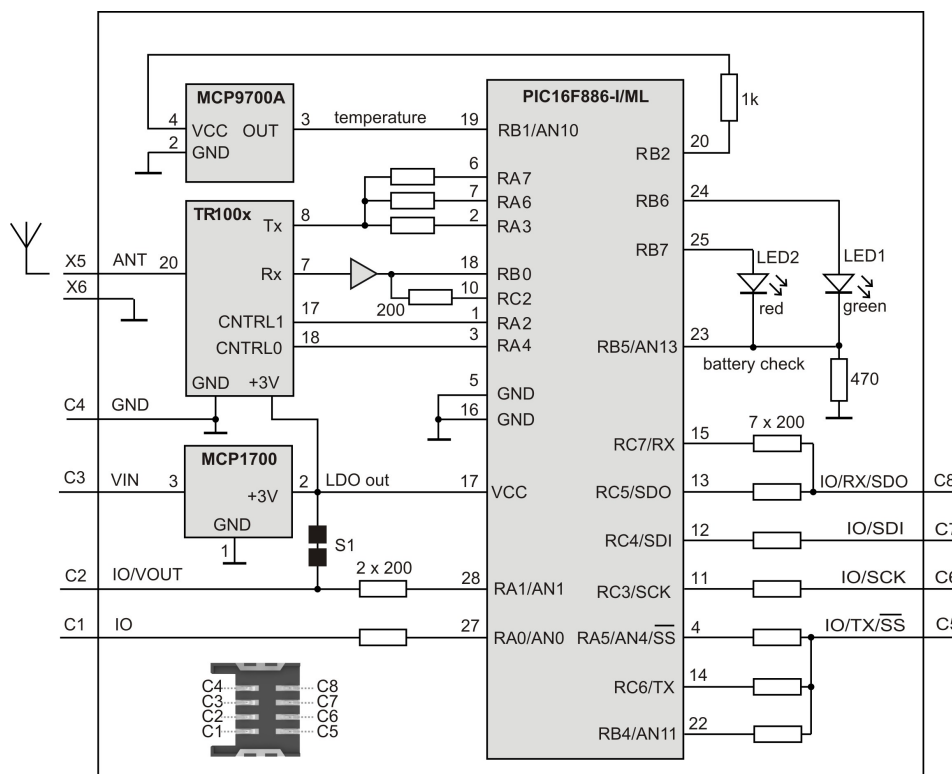
Applications

- Telemetry
- Buildings automation
- Wireless control & regulation
- Access control
- Remote data acquisition
- Communications links
- RF connectivity in many other areas

Key features

- Complete solution with operating system, easy to use
- Extended RF power
- MCU with extended Flash memory
- Ultra low power consumption, low cost
- SPI interface supported by OS (on background)
- On-board temperature sensor and battery monitoring
- +3 V LDO regulator output
- Dual LED
- 5/6 I/Os, 3 analog inputs (A/D)
- SIM card format
- Coaxial antenna connector (optional)

Simplified schematics



Electrical specifications
(typical values unless otherwise stated)

Supply voltage (VCC)	3.0 V to 5.3 V
Operating temperature	0 °C to +70 °C -40 °C to +85 °C (Industrial) available on request
Supply current	
Sleep mode	2.5 µA @ 3.0V 2.6 µA @ 3.6V
Run mode ¹	0.9 mA @ 8 MHz 0.5 mA @ 4 MHz 0.25 mA @ 1 MHz 170 µA @ 125 kHz 30 µA @ 31 kHz
Rx mode	5.0 mA @ 8 MHz
Tx mode	4.0 mA @ 8 MHz, Txpower = 7, transmitting '0' 29 mA @ 8 MHz, Txpower = 7, transmitting '1' 6 mA @ 8 MHz, Txpower = 1, balanced '0' / '1' 9 mA @ 8 MHz, Txpower = 2, balanced '0' / '1' 13 mA @ 8 MHz, Txpower = 4, balanced '0' / '1' 16.5 mA @ 8 MHz, Txpower = 6, balanced '0' / '1' 18 mA @ 8 MHz, Txpower = 7, balanced '0' / '1'
Additional supply current when LED(s) on	2 mA
RF sensitivity	-104 dBm
RF output power	up to 10 dBm, programmable in 7 levels of Txpower
Frequency range	868.35 MHz (TR-32B-868) 916.50 MHz (TR-32B-916)
RF data modulation	ASK (amplitude-shift-keyed)
RF data transmission bit rate	20 kb/s
RF data transmission bit rate (true speed) ³	up to 13 kb/s
LDO output (VOUT)	+3 V, 100 mA max.
A/D converter	10 b, 3 inputs (multiplexed S&H, successive approximation)
Input A/D impedance	10 kΩ max.
Temperature sensor accuracy	±2 °C max. (not calibrated) ±0.1 °C min. (calibrated)
Size (L x W x H)	25.0 mm x 14.9 mm x 3.0 mm 41.8 mm x 14.9 mm x 3.0 mm (TR-32BA)

Note 1: TR800x in standby mode, BOR disabled, WDT disabled.

Note 2: RF range strongly depends on module orientation and surroundings.

Note 3: True speed of RF data transmission strongly depends on transmitted data structure.

The EU users have to ensure observing the CEPT ERC/REC 70-03 Recommendation and subsequent amendments relating to the use of short range devices by software.

Absolute maximum ratings

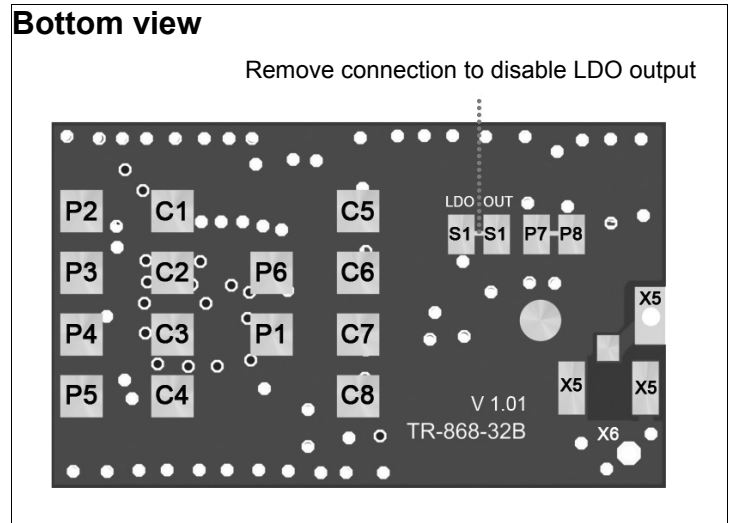
Stresses above those values may cause permanent damage to the device. Exposure to maximum rating conditions for extended periods may affect device reliability.

Supply voltage (VCC)	5.5 V
Storage temperature	-50 °C to +100 °C
Ambient temperature under bias	-40 °C to +85 °C

For more information refer to datasheets of ICs used:

IC	type	manufacturer
MCU	PIC16F886-I/ML	Microchip
RF	TR8001 (868 MHz) / TR8000 (916 MHz)	RF Monolithics (RFM)
LDO voltage regulator	MCP1700	Microchip
Temperature sensor	MCP9700A	Microchip

Pin	Name	Description	
C1	IO/AN		
	RA0	General I/O pin	
	AN0	Analog A/D input	
C2	IO/AN/VOUT		
	RA1	General I/O pin (S1 disconnected)	
	AN1	Analog A/D input (S1 disconnected)	
	VOUT	On-board +3 V LDO output (S1 connected – default)	
C3	VIN	Power supply voltage	
C4	GND	Ground	
C5	IO/AN/TX/-SS		
	RA5	General I/O pin	
	AN4	Analog A/D input	
	-SS	SPI Slave select	
	RC6	General I/O pin	
	TX	UART TX	
C6	IO/SCK/SCL	RB4	General I/O pin, Interrupt on change
		AN11	Analog A/D input
C7	IO/SDI/SDA	RC3	General I/O pin
		SCK	SPI clock
		SCL	I2C clock
C8	IO/SDO/RX	RC4	General I/O pin
		SDI	SPI data in
		SDA	I2C data
X5	ANT	RC5	General I/O pin
		SDO	SPI data out
X6	GND	RC7	General I/O pin
		RX	UART RX
P1–P8		For factory programming only	

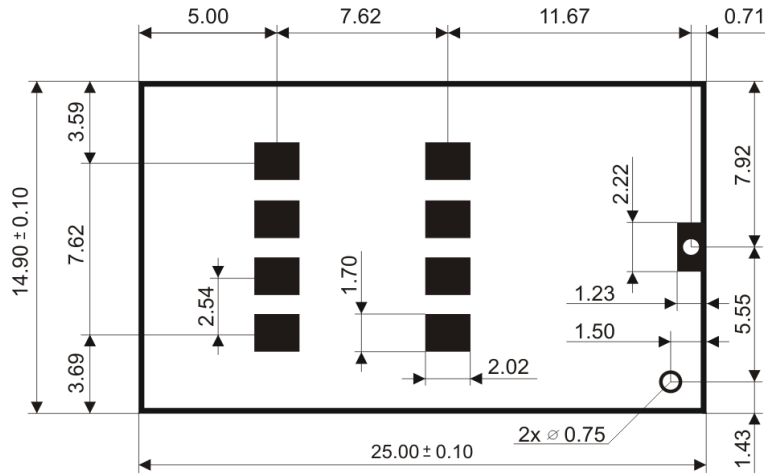


Application

See IQRF OS User's manual, Application examples, www.iqrf.org and www.iq-esupport.com.

Dimensions

TR-32B, TR-32BK, TR-32BC



Units: mm

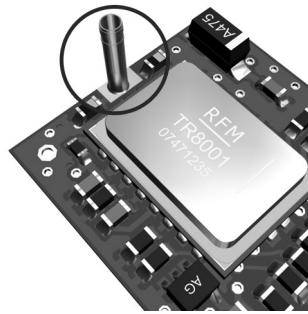
Recommended SIM connector: KON-SIM-01

Ordering codes

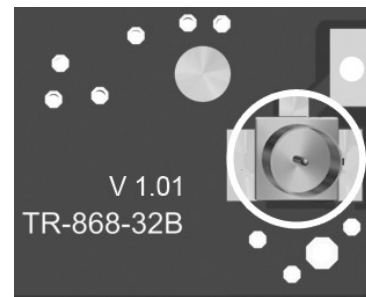
Type	frequency [MHz]	locality	antenna connector
TR-32B-868	868	EU	—
TR-32BK-868	868	EU	for AN-868-03 (¼ whip)
TR-32BC-868	868	EU	KON-U.FL-R-SMT (mini coax) for AN-05-C or CAB-U.FL
TR-32B-916	916	USA	—
TR-32BK-916	916	USA	for AN-916-03 (¼ whip)
TR-32BC-916	916	USA	KON-U.FL-R-SMT (mini coax) for AN-05-C or CAB-U.FL



TR-32B



TR-32BK



TR-32BC

Document history

- 100421 Slightly revised and updated
- 090611 First release

Sales and Service

Corporate office

MICRORISC s.r.o., Delnicka 222, 506 01 Jicin, Czech Republic, EU
Tel: +420 493 538 125, Fax: +420 493 538 126, www.microrisc.com

Partners and distribution

Please visit www.iqrf.org/partners

Quality management

ISO 9001 : 2000 certified

*Complies with ETSI directives EN 30279 V.1.2.1:99, ETS 30683:97, ETSI EN 301489-1:00,
ETSI EN 300220-1:00, ETSI EN 300390-2V.1.1.1:00*

Complies with FCC directives FCC CFR, Title 47, Part 15, Section 15.209, FCC CFR, Title 47, Part 15, Section 15.249

Complies with Directive 2002/95/EC (RoHS)



Trademarks

The IQRF name and logo are registered trademarks of MICRORISC s.r.o.

PIC, SPI, Microchip, RFM and all other trademarks mentioned herein are property of their respective owners.

Legal

All information contained in this publication is intended through suggestion only and may be superseded by updates without prior notice. No representation or warranty is given and no liability is assumed by MICRORISC s.r.o. with respect to the accuracy or use of such information.

Without written permission it is not allowed to copy or reproduce this information, even partially.

No licenses are conveyed, implicitly or otherwise, under any intellectual property rights.

The IQRF products utilize several patents (CZ, EU, US)

On-line support: <http://iq-esupport.com>



Simple way to smarter wireless solutions