

DDC-IO-01

IQRF Development Daisy Chain

Input/output kit

User's Guide



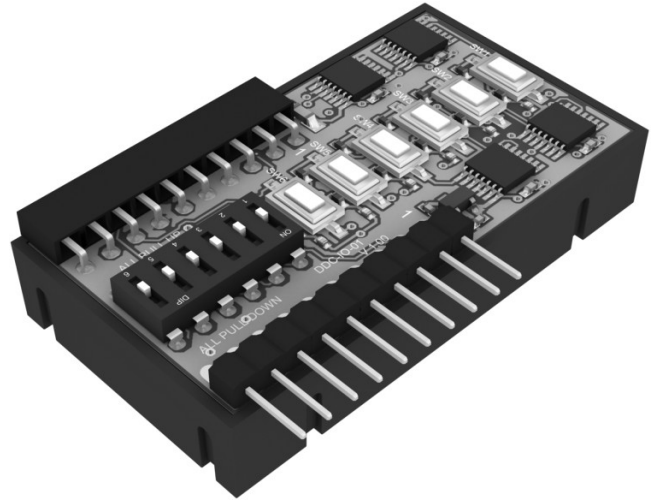
Simple way to smarter wireless solutions

Description

An input/output development kit for IQRF wireless applications with transceiver modules (TR) plugged in DK-EVAL-04 kits. Compatible with other DDC (Development Daisy Chain) kits.

It allows to control and monitor all TR I/O pins.

Ready-to-use example is available to demonstrate usage.



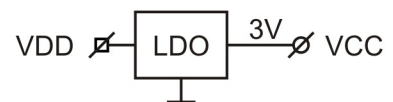
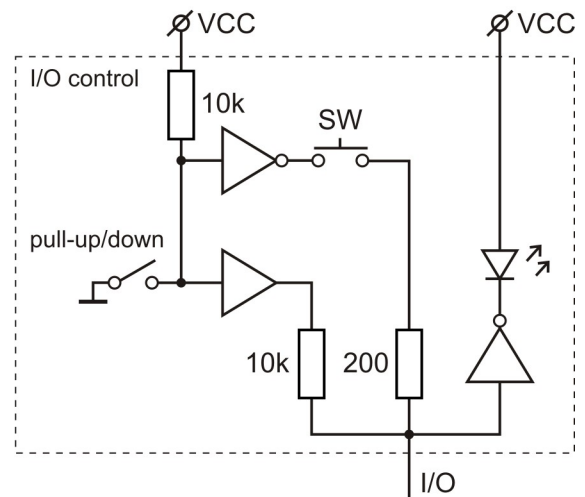
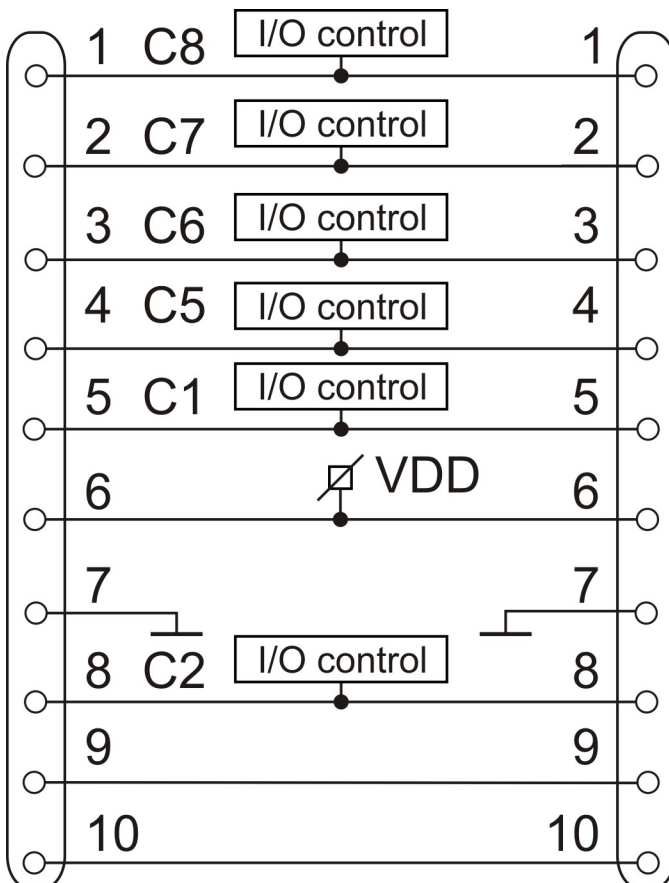
Applications

- Development of IQRF applications
- Suitable also for networks

Key features

- Compatible with other IQRF DDC kits
- Supplied from DK-EVAL-04
- 6 pushbuttons
- Pull-up/pull-down option for every I/O
- 6 indication LEDs
- Internal voltage LDO regulator

Simplified schematics



Electrical specifications

(typical values unless otherwise stated)

Power supply (VDD)	3.2 V to 5.5 V DC
Internal supply voltage (VCC)	3 V
Supply current	
I/Os inactive	1.8 mA
LED current	3 mA per LED
Temperature range	0 °C to +70 °C
Dimensions	48 mm x 27 mm x 11 mm
Weight	10 g

Absolute maximum ratings

Stresses above those values may cause permanent damage to the device. Exposure to maximum rating conditions for extended periods may affect device reliability.

Supply voltage:	6.0 V
Storage temperature:	-40 °C to +85 °C

Hardware

Power supply

DDC-IO-01 should be supplied from DK-EVAL-04 via connector XC2.

Interface connectors

The XC2 male connector with square 0.635 mm, 2.54 mm pitch pins is intended for I/Os and power supply.

Corresponding XC1 female connector serves for interconnection with other DDC kits.

Pull-ups and pull-downs

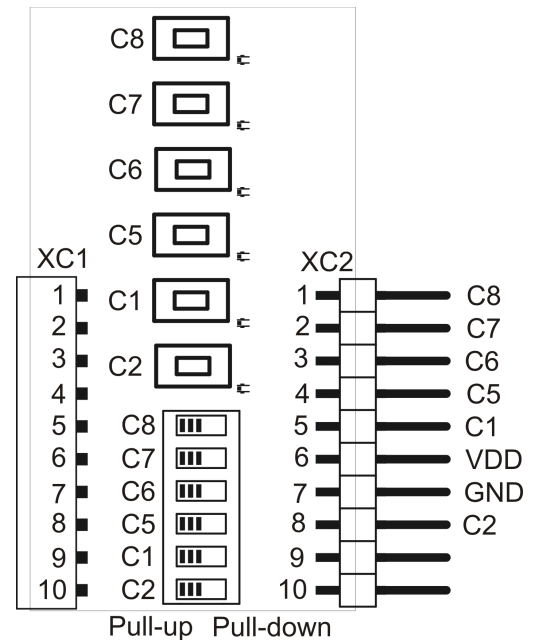
Every pin has a weak (10 kΩ) pull-down or pull-up selectable by the dipswitch.

Pushbuttons

Level on an I/O line is toggled when corresponding pushbutton is pressed.

LEDs

LED indicates high level on the pin.



Software

Ready-to-use examples are available in Startup package at www.iqrf.org.

Product information

Pack list

- DDC-IO-01 DDC input/output kit

Recommended options

- DK-EVAL-04 IQRF development kit for TR modules
- DDC-SE-01 DDC sensor kit
- DDC-RE-01 DDC relay kit

Ordering code

- DDC-IO-01 IQRF I/O DDC kit

Document history

- 110415 First release

Sales and Service

Corporate office

MICRORISC s.r.o., Delnicka 222, 506 01 Jicin, Czech Republic, EU
Tel: +420 493 538 125, Fax: +420 493 538 126, www.microrisc.com

Partners and distribution

Please visit www.iqrf.org/partners

Quality management

ISO 9001 : 2000 certified

*Complies with ETSI directives EN 30279 V.1.2.1:99, ETS 30683:97, ETSI EN 301489-1:00,
ETSI EN 300220-1:00, ETSI EN 300390-2V.1.1.1:00*

Complies with FCC directives FCC CFR, Title 47, Part 15, Section 15.209, FCC CFR, Title 47, Part 15, Section 15.249

Complies with Directive 2002/95/EC (RoHS)



Trademarks

*The IQRF name and logo are registered trademarks of MICRORISC s.r.o.
PIC, SPI, Microchip, RFM and all other trademarks mentioned herein are property of their respective owners.*

Legal

All information contained in this publication is intended through suggestion only and may be superseded by updates without prior notice. No representation or warranty is given and no liability is assumed by MICRORISC s.r.o. with respect to the accuracy or use of such information.

Without written permission it is not allowed to copy or reproduce this information, even partially.

No licenses are conveyed, implicitly or otherwise, under any intellectual property rights.

The IQRF products utilize several patents (CZ, EU, US)

On-line support: <http://iq-esupport.com>



Simple way to smarter wireless solutions