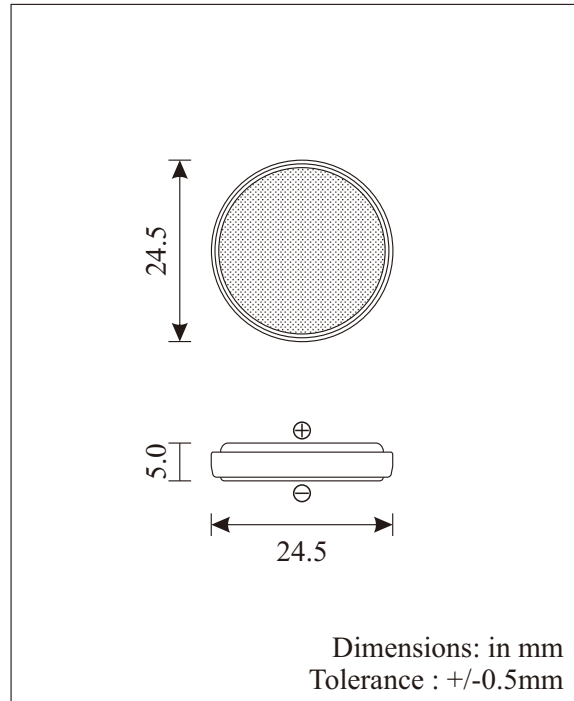
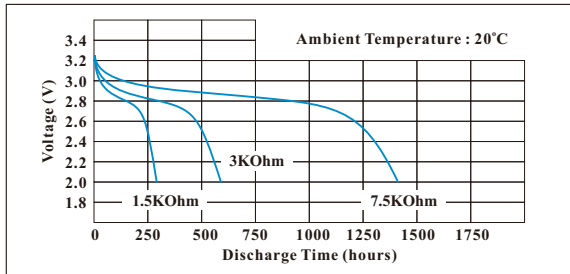


LITHIUM BATTERY

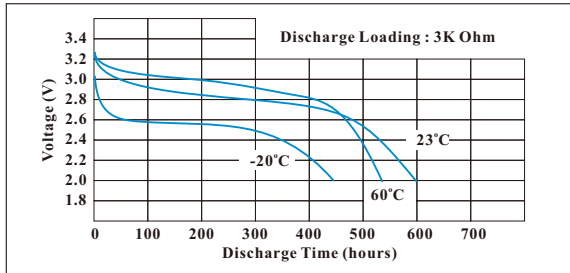
SPECIFICATIONS

Model	:	CR2450
Description	:	Lithium Coin Cell (LiMnO ₂), Mercury Free
Nominal Capacity	:	550mAh at 30K Ohm continuous discharge
Nominal Voltage	:	3.0 V
Cut-Off Voltage	:	2.0 V
Approx. Weight	:	6.2 g
Expected Shelf Life	:	3 years ex-factory
Operating Temperature	:	-20 degC to 60 degC
Recommended Drain	:	Pulse - 15mA Standard - 0.5mA Low - 0.004mA
Service Life	:	1400 hrs at 7.5K Ohm continuous discharge 600 hrs at 3K Ohm continuous discharge
Application	:	Memory Backup, Electronic Watches, Calculators, Cameras, Electronic Translators, Low Power Cordless Application

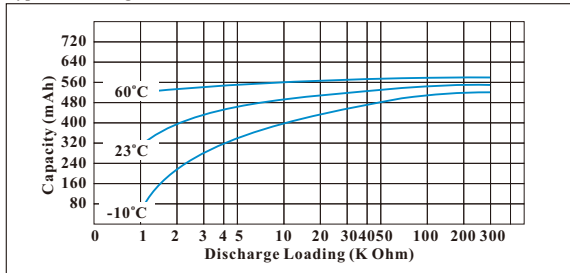
Typical Discharge Characteristics



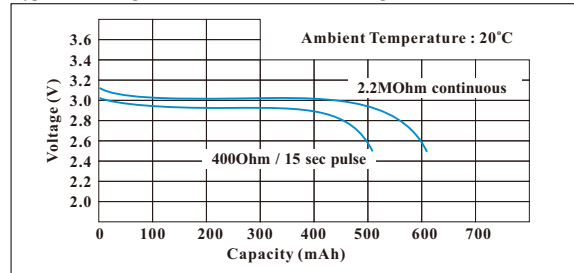
Typical Discharge Characteristics



Typical Discharge Characteristics



Typical Discharge Characteristics (Pulse Discharge)



Information is for reference only and is not construed as warranties either expressed or implied, of future performance. Performance varies with time, discharge and storage condition.. 1 year limited guarantee against manufacturing defects. Other problem caused by misuse, mishandling of cell, or malfunction of equipment, is not under the warranty.

Model : CR2450
Version : 2.60

WELL LINK
INDUSTRIAL LIMITED

EFB01