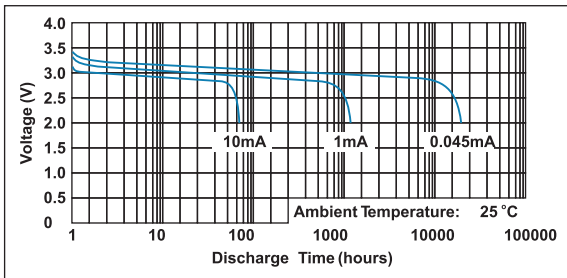


LITHIUM THIONYL CHLORIDE BATTERY

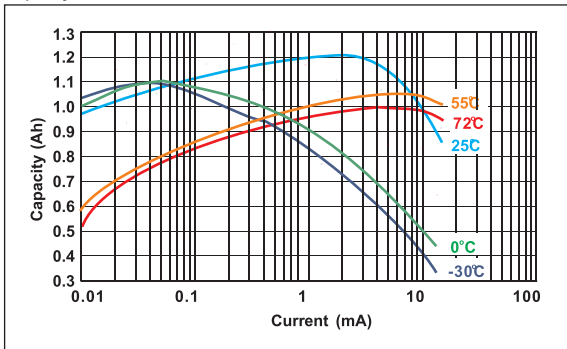
SPECIFICATIONS

Model	:	ER14250
Description	:	Lithium Thionyl Chloride Battery (LiSOCl ₂), Size '1/2AA'
Standard	:	IEC 86-4 and EN50020 intrinsic safety
Nominal Capacity	:	1200 mAh at 1 mA continuous discharge
Nominal Voltage	:	3.6 V
Cut-Off Voltage	:	2.0 V
Weight	:	10 g
Shelf-Life	:	10 years ex-factory
Operating Temperature Range	:	-55 °C to +85 °C
Recommended Drain	:	Standard: 1 mA Continuous: < 40 mA Pulse: < 200 mA
Service Life	:	65 hrs at 10 mA continuous discharge 1200 hrs at 1 mA continuous discharge
Warning	:	Do not short circuit. Do not recharge. Do not overdischarge. Do not disassemble. Do not put on fire. Do not inverse polarity. Do not mix new and old battery. Do not mix with different battery types.

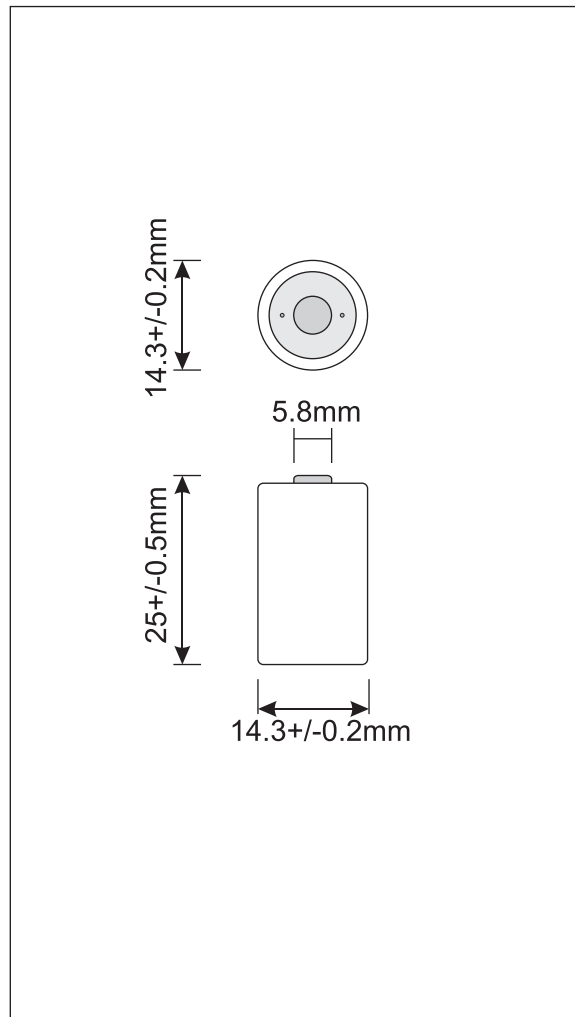
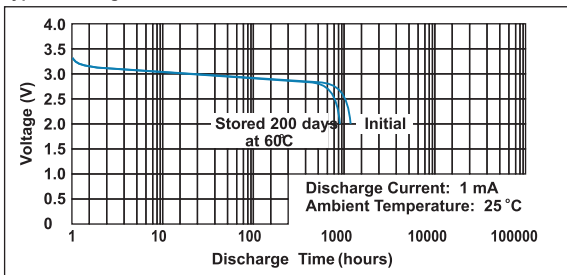
Typical Discharge Characteristics



Capacity vs Current Characteristics



Typical Storage Characteristics



Information is for references only.

Model : ER14250
Version : 2.3

WELL LINK
INDUSTRIAL LIMITED

ERA02/2