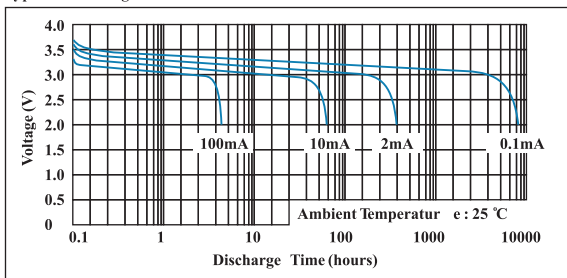


LITHIUM THIONYL CHLORIDE BATTERY

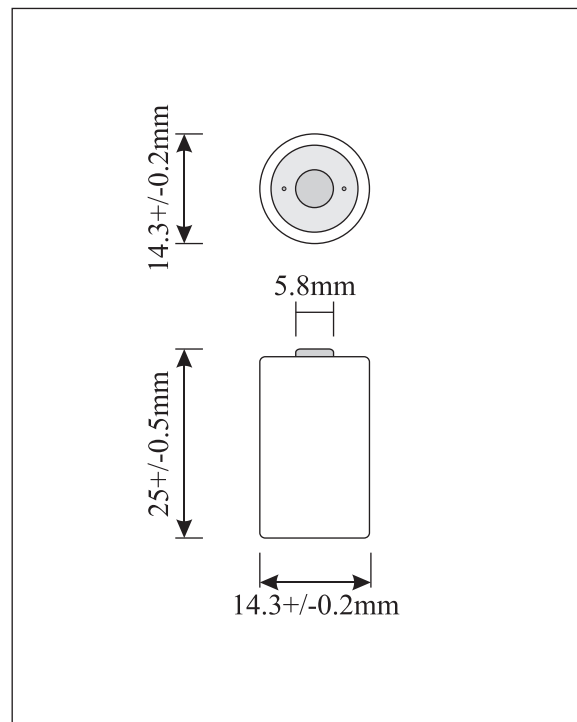
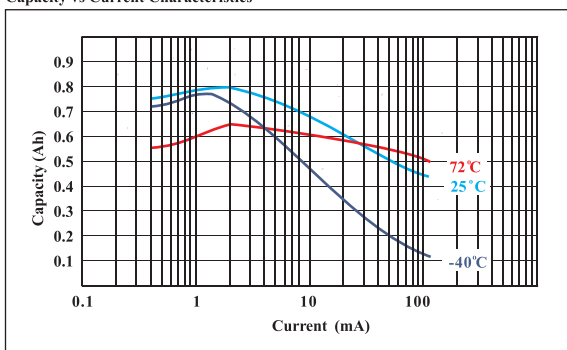
SPECIFICATIONS

Model	:	ER14250M
Description	:	Lithium Thionyl Chloride Battery(LiSOCl ₂), Size '1/2AA'
Standard	:	IEC 86-4 and EN50020 intrinsic safety
Normal Capacity	:	800mAh at 2mA continuous discharge
Nominal Voltage	:	3.6 V
Cut-Off Voltage	:	2.0 V
Weight	:	10 g
Shelf-Life	:	10 years ex-factory
Operating Temperature Range	:	-55degreeC to +85 degreeC
Recommended Drain	:	Standard : 2mA Continuous < 100mA Pulse < 500mA
Service Life	:	60hrs at 10mA continuous discharge 400 hrs at 2mA continuous discharge
Warning	:	Do not short circuit. Do not recharge. Do not overdischarge. Do not disassemble. Do not put on fire. Do not inverse polarity. Do not mix new and old battery. Do not mix with different battery types.

Typical Discharge Characteristics



Capacity vs Current Characteristics



Information is for references only.

Model: ER14250M
Version: 2.3

WELL LINK
INDUSTRIAL LIMITED

ERA04